

Material
 Housing: PA66, UL 94 V-0
 Shrapnel: Stainless steel
 Clamp: Phosphor bronze, Tin plated

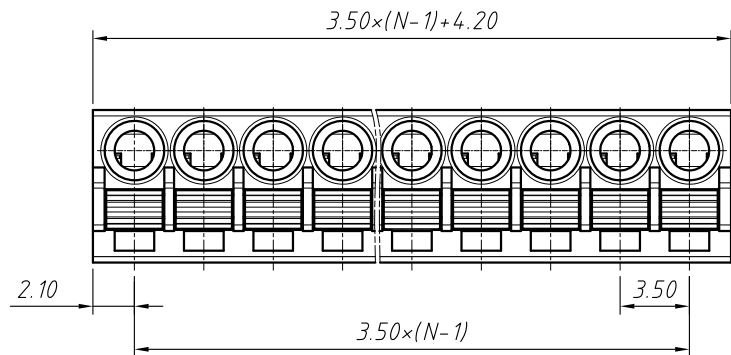
Electrical
 Rated voltage: 300 V
 Rated current: 8 A
 Contact Resistance: 20 mΩ
 Withstand voltage: AC2000V / 1 Min
 Insulation resistance: 500MΩ / DC500V
 Wire Range: 24 ~ 16AWG 1.0mm²

Mechanical
 Temp. Range: -40 °C ~ +105 °C
 Strip length: 9-10mm

Order Information

L-KLS2-FMC-3.50-XXP-4 00

RoHS
 Terminal Block
 Pitch
 No. of Pole
 Color: 4- Green
 Product Code: 00 ~ 99



GENERAL TOLERANCE		ANGLE TOLERANCE		Description:	
X. ±0.60		X. ±5°		Pluggable Terminal Block 3.5 MM	
.X ±0.38		.X ±3°		KLS P/N:	KLS2-FMC-3.50-XXP-4-00
.XX ±0.25		.XX ±2°			
Draw by	2015-09-01	PROJECTION		NingBo KLS ELECTRONIC CO.,L TD.	
Check by	2015-09-15	UNITS	mm		
SCALE		SHEET SIZE	A4		