

## Push Button Switches

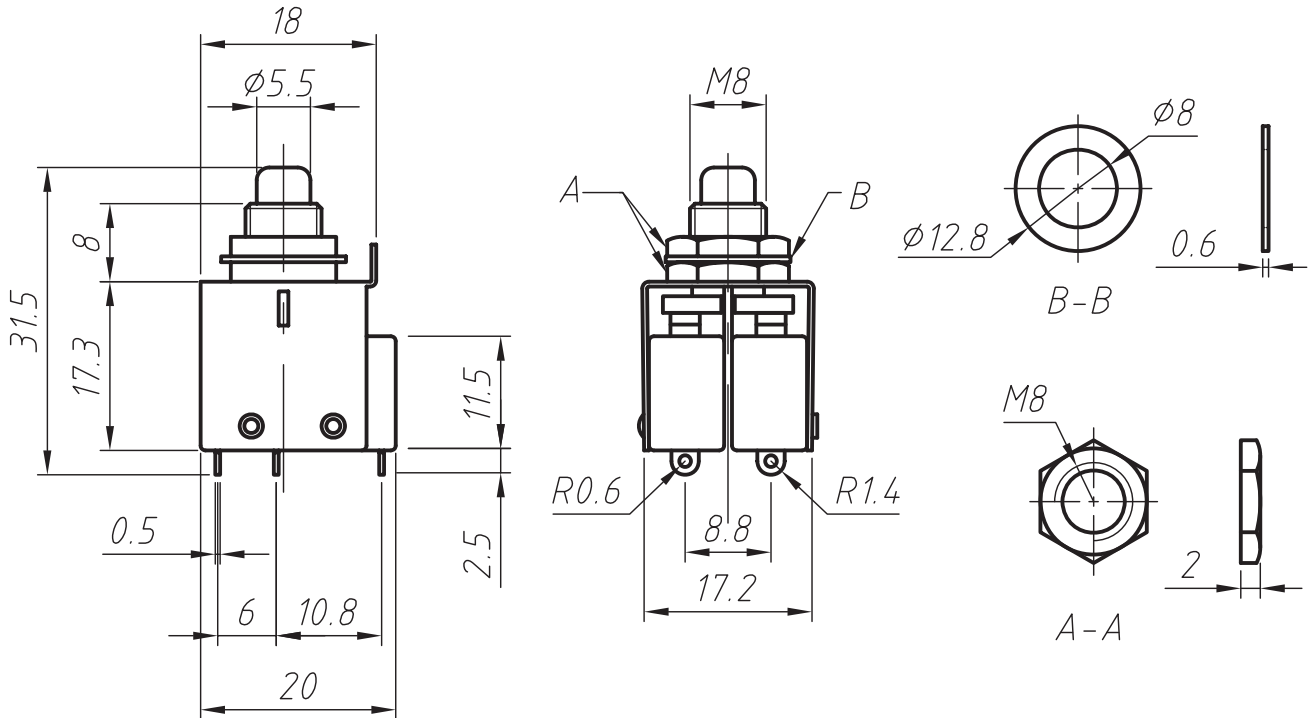
KLS7-KM2-1 Panel mount push button switch / dual switches

### Material:

Plastic parts material: PBT  
Copper Material: Brass H62  
Silver contact material: silver cadmium oxide AgCdO

### Specification :

- 1. Rating: 3A 250V / 5A 125V
- 2. Contact R:  $\leq 50m\Omega$
- 3. Insulation R:  $\geq 100M\Omega$
- 4. Dielectric strength : 1500V ~ 2500V
- 5. Setting Temperature: -55% dC ~ 120% dC
- 6. Electrical Life: 50000 Cycles
- 7. Machine Life: 100000 Cycles
- 8. Operation Force: 0.3N ~ 3.5N
- 9. Manual Soldering 300°C for 5s



## ORDER INFORMATION

Product NO.: KLS7-KM2-1

Part Number

Dual switches