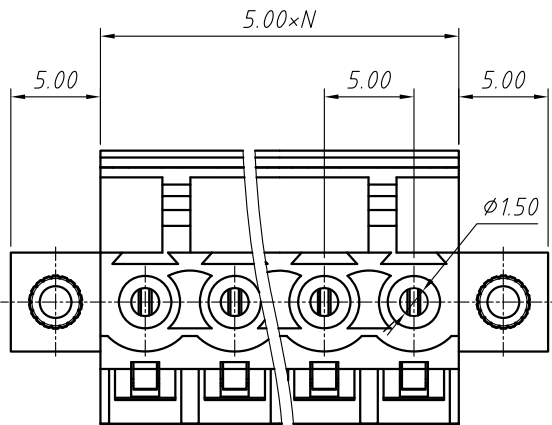


SECTION A-A



**Material**  
**Housing:** PA66, UL94V-0  
**Cage:** Brass, Ni plated  
**Screws:** M3.0, Steel, Zn plated  
**Clamp:** Phosphor bronze, Ni plated

**Electrical**  
**Rated voltage:** 300V  
**Rated current:** 15A  
**Contact Resistance:** 20 mΩ  
**Insulation resistance:** 500MΩ/DC500V  
**Withstand voltage:** AC2000V / 1 min  
**Wire Range:** 28 ~ 14AWG 2.5mm<sup>2</sup>

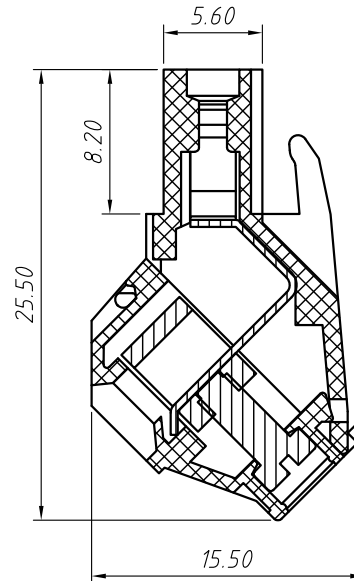
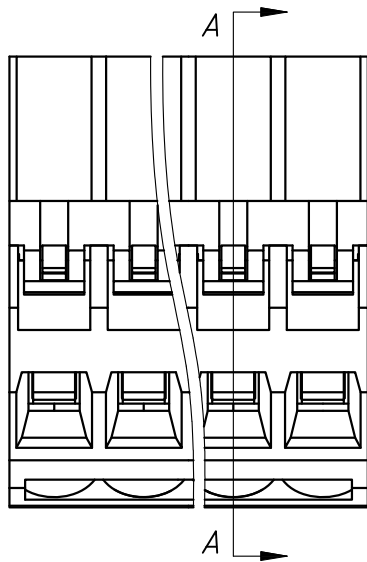
**Mechanical**  
**Temp. Range:** -40 °C ~ +105 °C  
**Strip length:** 7 ~ 8mm  
**Torque:** 0.4m(3.6Lbin)

**Order Information**

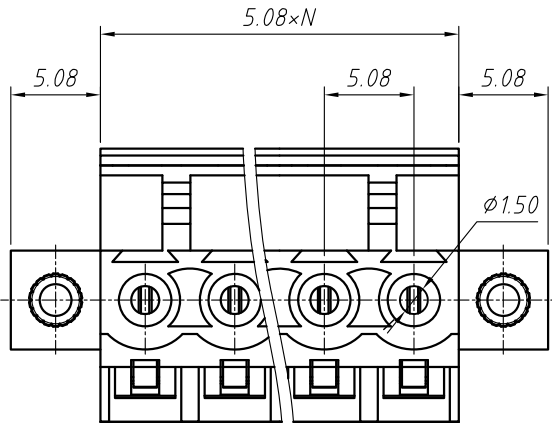
L-KLS2-ELKM-5.00-XXP-4S00

RoHS  
Terminal Block  
Pitch  
No.: of Pole  
Color: 4- Green  
Screw: S-Slot Screw C-Cross Screw  
Product Code: 00 ~ 99

GENERAL TOLERANCE		ANGLE TOLERANCE		Description:
X. ±0.60		X. ±5°		Pluggable Terminal Block 5.00 MM
.X ±0.38		.X ±3°		
.XX ±0.25		.XX ±2°		
Draw by	2015-09-01	PROJECTION		KLS P/N: KLS2-ELKM-5.00-XXP-4S-00
Check by	2015-09-15	UNITS	mm	NingBo KLS ELECTRONIC CO.,L TD.
SCALE		SHEET SIZE	A4	



SECTION A-A



**Material**  
**Housing:** PA66, UL94V-0  
**Cage:** Brass, Ni plated  
**Screws:** M3.0, Steel, Zn plated  
**Clamp:** Phosphor bronze, Ni plated

**Electrical**  
**Rated voltage:** 300V  
**Rated current:** 15A  
**Contact Resistance:** 20 mΩ  
**Insulation resistance:** 500MΩ/DC500V  
**Withstand voltage:** AC2000V / 1 min  
**Wire Range:** 28 ~ 14AWG 2.5mm<sup>2</sup>

**Mechanical**  
**Temp. Range:** -40 °C ~ +105 °C  
**Strip length:** 7 ~ 8mm  
**Torque:** 0.4m(3.6Lbin)

**Order Information**

L-KLS2-ELKM-5.08-XXP-4S00

RoHS  
Terminal Block  
Pitch  
No.: of Pole  
Color: 4- Green  
Screw: S-Slot Screw C-Cross Screw  
Product Code: 00 ~ 99

GENERAL TOLERANCE		ANGLE TOLERANCE		Description:	
X. ±0.60		X. ±5°		Pluggable Terminal Block 5.08 MM	
.X ±0.38		.X ±3°		KLS P/N:	KLS2-ELKM-5.08-XXP-4S-00
.XX ±0.25		.XX ±2°			
Draw by	2015-09-01	PROJECTION		NingBo KLS ELECTRONIC CO.,L TD.	
Check by	2015-09-15	UNITS	mm		
SCALE		SHEET SIZE	A4		