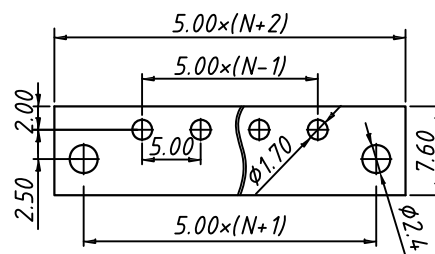
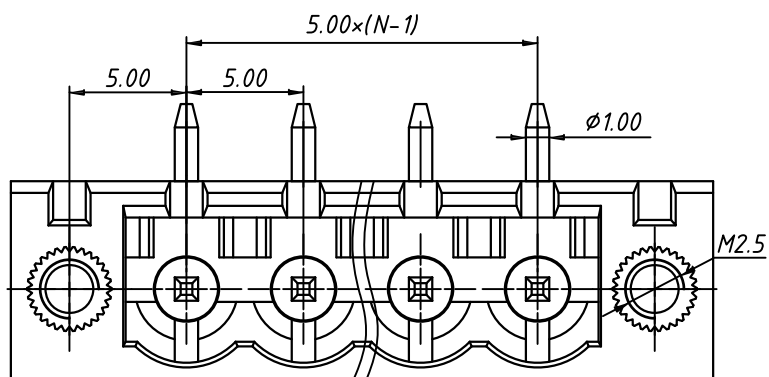


SECTION A-A



PCB LAYOUT

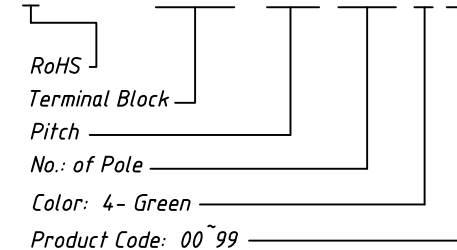
Material
Housing: PA66, UL94V-0
Pin header: Brass, Tin plated



Electrical
Rated voltage: 300V
Rated current: 15A
Contact Resistance: 20 mΩ
Insulation resistance: 500MΩ/DC500V
Withstand voltage: AC2000V / 1 min

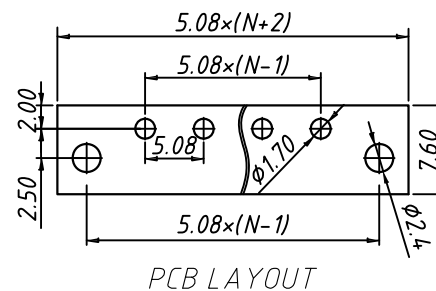
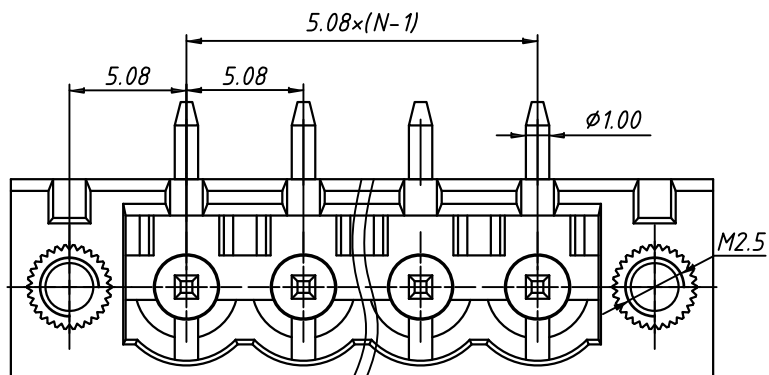
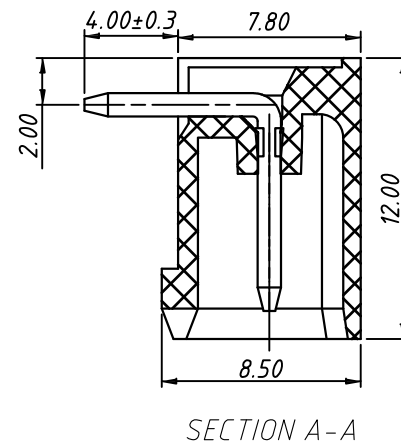
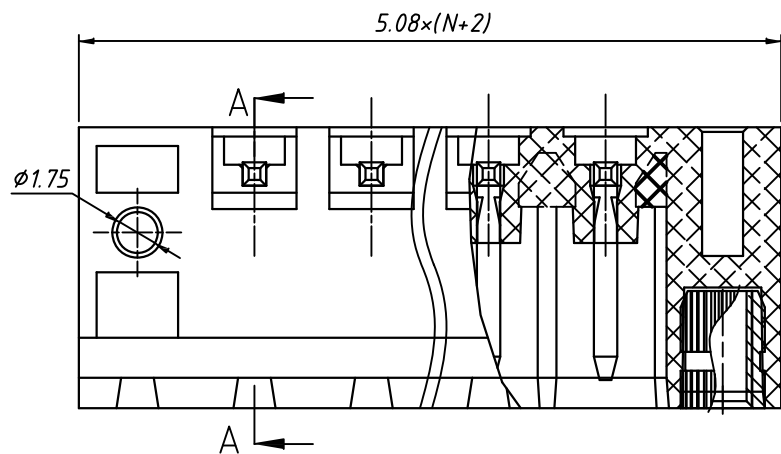
Mechanical
Temp. Range: -40 °C ~ +105 °C

Order Information

L-KLS2-EDRRY-5.00-XXP-4 00



GENERAL TOLERANCE		ANGLE TOLERANCE		Description:	
X. ±0.60		X. ±5°		Pluggable Terminal Block 5.00MM	
.X ±0.38		.X ±3°		KLS P/N:	KLS2-EDRRY-5.00-XXP-4-00
.XX ±0.25		.XX ±2°		 NingBo KLS ELECTRONIC CO.,L TD.	
Draw by	2015-09-01	PROJECTION			
Check by	2015-09-15	UNITS	mm		
SCALE		SHEET SIZE	A4		



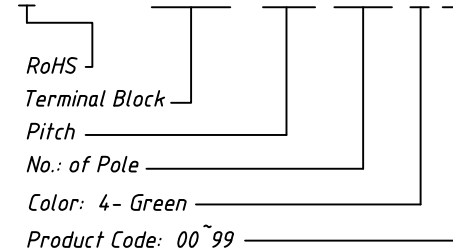
Material
 Housing: PA66, UL94V-0
 Pin header: Brass, Tin plated



Electrical
 Rated voltage: 300V
 Rated current: 15A
 Contact Resistance: 20 mΩ
 Insulation resistance: 500MΩ/DC500V
 Withstand voltage: AC2000V / 1 min

Mechanical
 Temp. Range: -40 °C ~ +105 °C

Order Information

L-KLS2-EDRRY-5.08-XXP-4 00



GENERAL TOLERANCE		ANGLE TOLERANCE		Description:	
X. ±0.60		X. ±5°		Pluggable Terminal Block 5.08MM	
.X ±0.38		.X ±3°		KLS P/N:	KLS2-EDRRY-5.08-XXP-4-00
.XX ±0.25		.XX ±2°		 NingBo KLS ELECTRONIC CO.,L TD.	
Draw by	2015-09-01	PROJECTION			
Check by	2015-09-15	UNITS	mm		
SCALE		SHEET SIZE	A4		