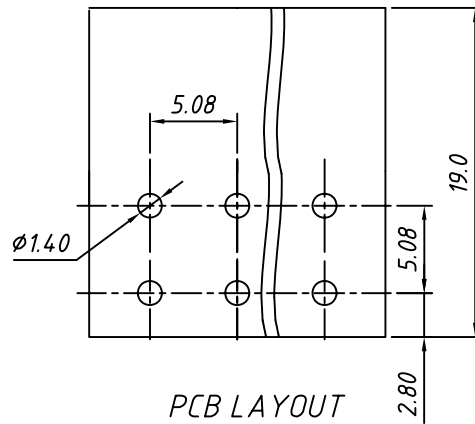
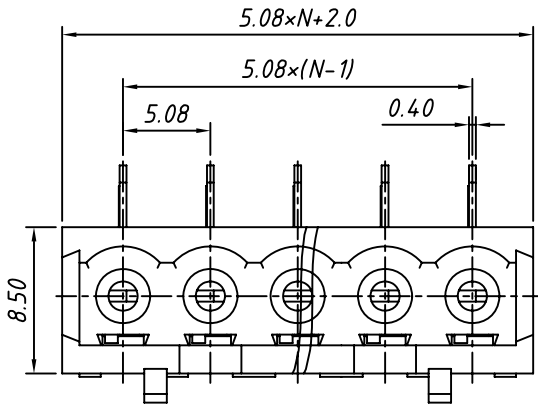


SECTION



PCB LAYOUT

**Material**

Pin header: Phosphor Bronze, Tin plated

Housing: PA66, UL94V-0

**Electrical**

Rated voltage: 300V

Rated current: 15A

Contact Resistance: 20 mΩ

Insulation resistance: 500MΩ/DC500V

Withstand voltage: AC2000V / 1 min

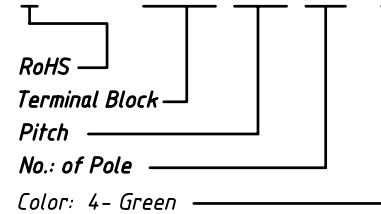
**Mechanical**

Temp. Range: -40 °C ~ +105 °C

Soldering: 250°C 5Sec. Max.

**Order Information**

**L-KLS2-EDKR-5.08-XXP-4**



GENERAL TOLERANCE	ANGLE TOLERANCE	PROJECTION	Description:
X. ±0.60	X. ±5°	UNITS	Plug-in TERM BLOCK 5.08MM
.X ±0.38	.X ±3°	SHEET SIZE	
.XX ±0.25	.XX ±2°	KLS P/N:	

Draw by: Date	2015-09-01
Check by: Date	2015-09-15
SCALE	SHEET OF

**KLS ELECTRONIC CO., LTD.**