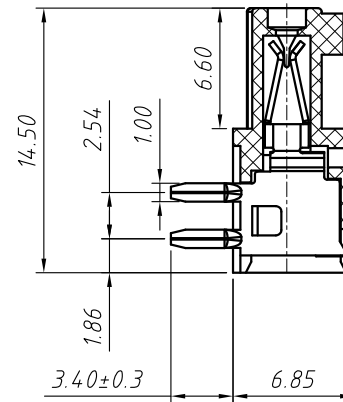
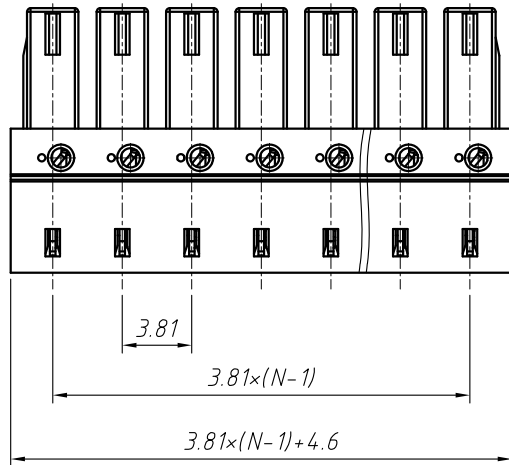


PCB LAYOUT

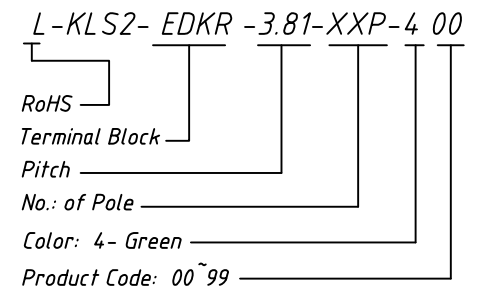


Material
Housing: PA66, UL 94V-0
Clamp: Phosphor Bronze, Tin plated

Electrical
Rated voltage: 300V
Rated current: 8A
Contact Resistance: 20 mΩ
Insulation resistance: 500MΩ/DC500V
Withstand voltage: AC1250V / 1 min

Mechanical
Temp. Range: -40 °C ~ +105 °C

Order Information



GENERAL TOLERANCE		ANGLE TOLERANCE		Description:	
X. ±0.60		X. ±5°		Pluggable Terminal Block 3.81 MM	
.X ±0.38		.X ±3°		KLS P/N:	KLS2-EDKR-3.81-XXP-4-00
.XX ±0.25		.XX ±2°			
Draw by	2015-09-01	PROJECTION		NingBo KLS ELECTRONIC CO.,L TD.	
Check by	2015-09-15	UNITS	mm		
SCALE		SHEET SIZE	A4		