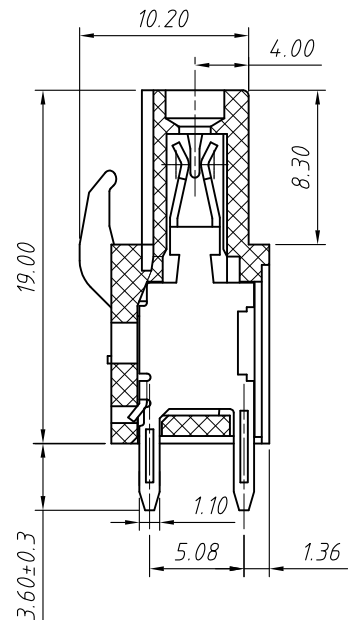
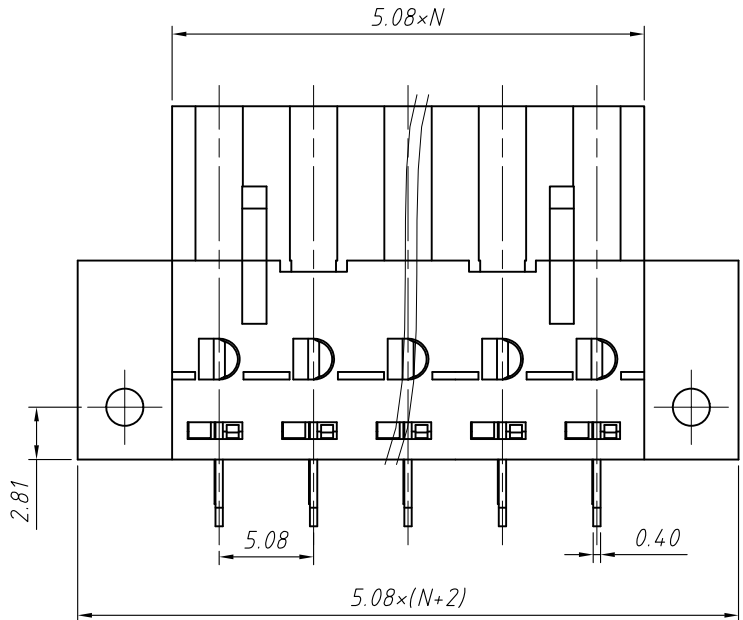


PCB LAYOUT




Material
 Housing: PA66, UL94V-0
 Nut: M2.5, Brass
 Clamp: Phosphor bronze, Tin plated

Electrical
 Rated voltage: 300V
 Rated current: 15A
 Contact Resistance: 20 mΩ
 Insulation resistance: 500MΩ/DC500V
 Withstand voltage: AC2000V / 1 min

Mechanical
 Temp. Range: -40 °C ~ +105 °C

Order Information

L-KLS2-EDKHM-5.08-XXP-4S00
 RoHS
 Terminal Block
 Pitch
 No.: of Pole
 Color: 4- Green
 Screw: S-Slot Screw C-Crass Screw
 Product Code: 00~99

GENERAL TOLERANCE	ANGLE TOLERANCE	Description:
X. ±0.60	X. ±5°	Pluggable Terminal Block 5.08 MM
.X ±0.38	.X ±3°	
.XX ±0.25	.XX ±2°	
Draw by 2015-09-01	PROJECTION	KLS P/N: KLS2-EDKHM-5.08-XXP-4S-00
Check by 2015-09-15	UNITS	 NingBo KLS ELECTRONIC CO.,L TD.
SCALE	SHEET SIZE	