

**Material**  
**Housing:** PA66, UL 94V-0  
**Pin header:** Brass, Tin plated  
**Nut:** M2.5, Brass

**Electrical**  
**Rated voltage:** 300V  
**Rated current:** 8A  
**Contact Resistance:** 20 mΩ  
**Insulation resistance:** 500MΩ/DC500V  
**Withstand voltage:** AC2000V / 1 min

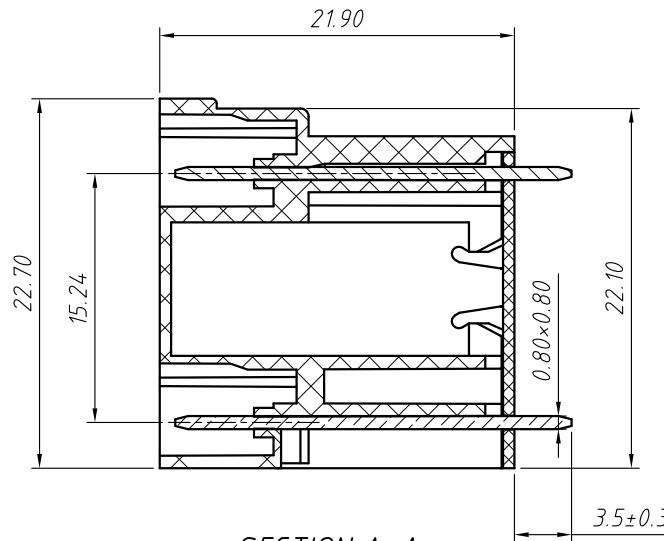
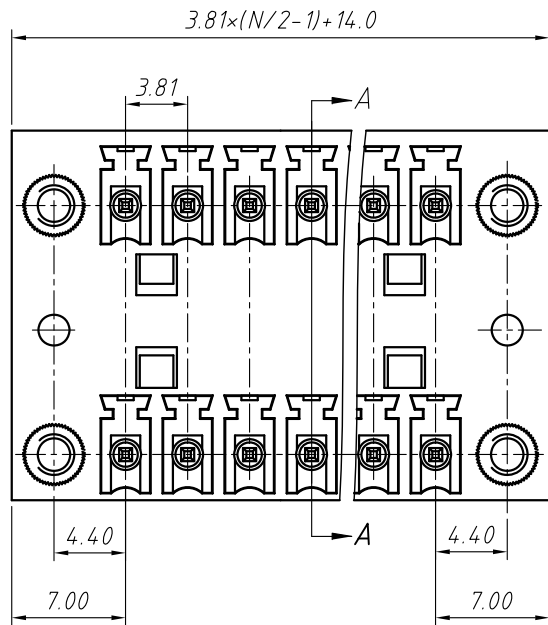
**Mechanical**  
**Temp. Range:** -40 °C ~ +105 °C

**Order Information**

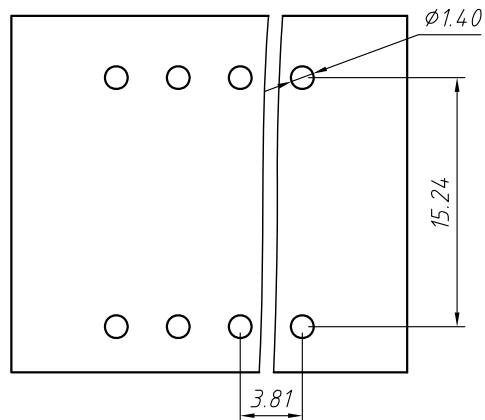
L-KLS2-EDALV-3.50-XXP-4S00

RoHS  
Terminal Block  
Pitch  
No.: of Pole  
Color: 4- Green  
Screw: S-Slot Screw C-Cross Screw  
Product Code: 00~99

GENERAL TOLERANCE		ANGLE TOLERANCE		Description:	
X. ±0.60	.X ±0.38	.XX ±0.25		X. ±5°	.X ±3°
				.XX ±2°	
Draw by	2015-09-01	PROJECTION		Pluggable Terminal Block 3.5 MM	
Check by	2015-09-15	UNITS	mm	KLS P/N:	KLS2-EDALV-3.50-XXP-4S-00
SCALE		SHEET SIZE	A4	NingBo KLS ELECTRONIC CO.,L TD.	



SECTION A-A



**Material**  
**Housing:** PA66, UL 94V-0  
**Pin header:** Brass, Tin plated  
**Nut:** M2.5, Brass

**Electrical**  
**Rated voltage:** 300V  
**Rated current:** 8A  
**Contact Resistance:** 20 mΩ  
**Insulation resistance:** 500MΩ/DC500V  
**Withstand voltage:** AC2000V / 1 min

**Mechanical**  
**Temp. Range:** -40 °C ~ +105 °C

**Order Information**

L-KLS2-EDALV-3.81-XXP-4S00

RoHS  
Terminal Block  
Pitch  
No.: of Pole  
Color: 4- Green  
Screw: S-Slot Screw C-Cross Screw  
Product Code: 00~99

GENERAL TOLERANCE		ANGLE TOLERANCE		Description:	
X. ±0.60	.X ±0.38	.XX ±0.25		X. ±5°	.X ±3°
				.XX ±2°	
Draw by	2015-09-01	PROJECTION		Pluggable Terminal Block 3.81 MM	
Check by	2015-09-15	UNITS	mm		
SCALE		SHEET SIZE	A4	KLS P/N:	KLS2-EDALV-3.81-XXP-4S-00



NingBo KLS ELECTRONIC CO.,L TD.