

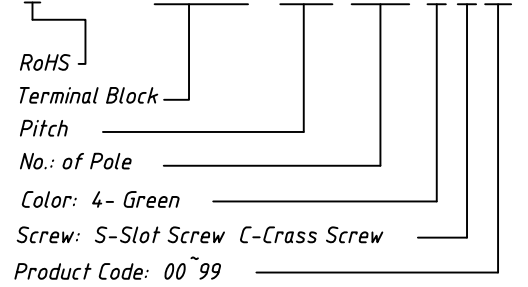
Material  
Housing: PA66, UL94V-0  
Screws: M3 Steel, Zn plated  
Pin header: Brass, Tin plated  
Cage: Brass, Ni plated

Electrical  
Rated voltage: 300V  
Rated current: 15A  
Contact Resistance: 20 mΩ  
Insulation resistance: 500MΩ/DC500V  
Withstand voltage: AC2000V / 1 min  
Wire range: 28-14 AWG 2.5mm<sup>2</sup>

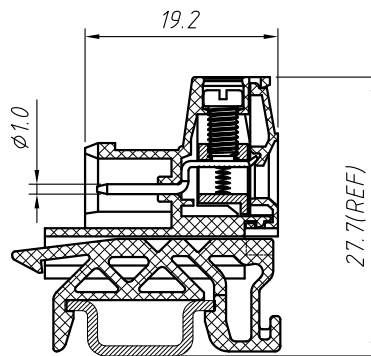
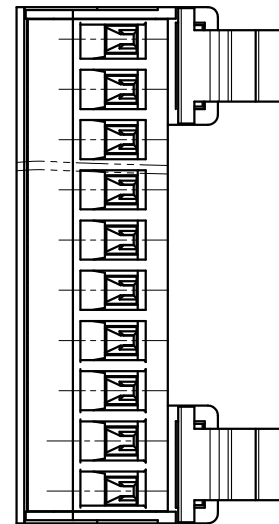
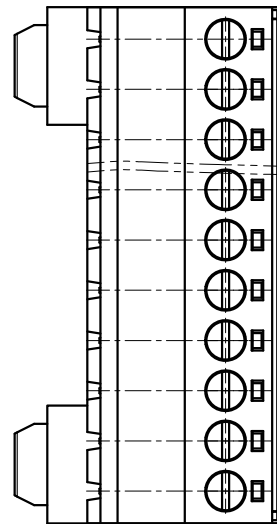
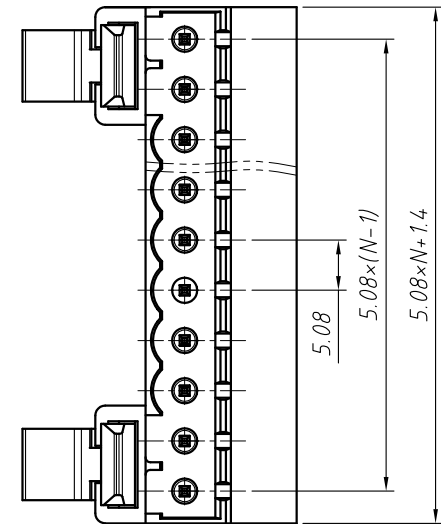
Mechanical  
Torque: 0.5Nn(4.5Lb.in)  
Steep Length: 7-8mm  
Temp. Range: -40 °C - + 105 °C

Order Information

L-KLS2-DGXKM-5.00-XXP-4 S 00



GENERAL TOLERANCE		ANGLE TOLERANCE		Description:	
X. ±0.60		X. ±5°		Pluggable Terminal Block 5.00MM	
.X ±0.38		.X ±3°		KLS P/N:	KLS2-DGXKM-5.00-XXP-4S-00
.XX ±0.25		.XX ±2°			
Draw by	2015-09-01	PROJECTION		NingBo KLS ELECTRONIC CO.,L TD.	
Check by	2015-09-15	UNITS	mm		
SCALE		SHEET SIZE	A4		



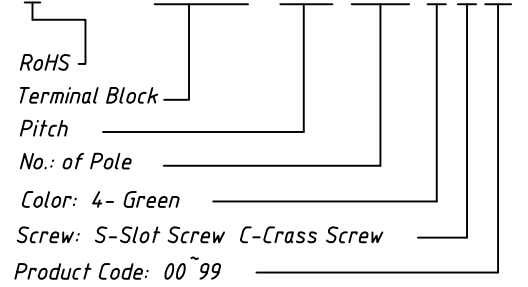
Material  
 Housing: PA66, UL94V-0  
 Screws: M3 Steel, Zn plated  
 Pin header: Brass, Tin plated  
 Cage: Brass, Ni plated

Electrical  
 Rated voltage: 300V  
 Rated current: 15A  
 Contact Resistance: 20 mΩ  
 Insulation resistance: 500MΩ/DC500V  
 Withstand voltage: AC2000V / 1 min  
 Wire range: 28-14 AWG 2.5mm<sup>2</sup>

Mechanical  
 Torque: 0.5Nn(4.5Lb.in)  
 Steep Length: 7-8mm  
 Temp. Range: -40 °C - + 105 °C

Order Information

L-KLS2- DGXKM -5.08-XXP-4 S 00



GENERAL TOLERANCE		ANGLE TOLERANCE		Description:	
X. ±0.60		X. ±5°		Pluggable Terminal Block 5.08MM	
.X ±0.38		.X ±3°		KLS P/N:	KLS2-DGXKM-5.08-XXP-4S-00
.XX ±0.25		.XX ±2°			
Draw by	2015-09-01	PROJECTION		NingBo KLS ELECTRONIC CO.,L TD.	
Check by	2015-09-15	UNITS	mm		
SCALE		SHEET SIZE	A4		