

Material

Housing: PA66, UL94V-0
 Screws: M3.0, Steel, Zinc plated
 Pin header: Brass, Tin plated
 Clamp: Brass, Ni plated

Electrical

Rated voltage: 300V
 Rated current: 15A
 Contact Resistance: 20 mΩ
 Insulation resistance: 500MΩ/DC500V
 Wire range: 28-14 AWG 2.5mm²
 Withstand voltage: AC2000V / 1 min

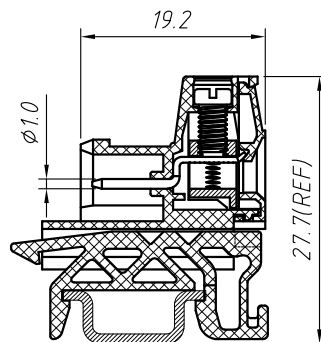
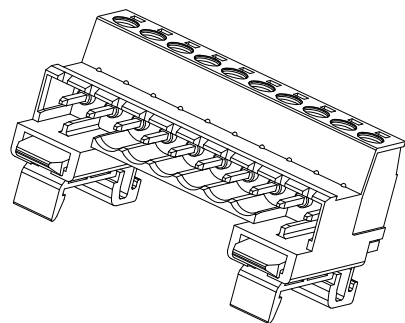
Mechanical

Torque: 0.5NM(4.5Lb.in)
 Steip length: 7-8mm
 Temp. Range: -40 °C ~ + 105 °C

Order Information

L-KLS2-DGXK-5.08-XXP-4 S 00

RoHS-
 Terminal Block
 Pitch
 No.: of Pole
 Color: 4- Green
 Screw: S-Slot Screw C-Cross Screw
 Product Code: 00~99



GENERAL TOLERANCE		ANGLE TOLERANCE		Description:	
X. ±0.60		X. ±5°		Pluggable Terminal Block 5.08MM	
.X ±0.38		.X ±3°		KLS P/N:	KLS2-DGXK-5.08-XXP-4S-00
.XX ±0.25		.XX ±2°			
Draw by	2015-09-01	PROJECTION			NingBo KLS ELECTRONIC CO.,L TD.
Check by	2015-09-15	UNITS	mm		
SCALE		SHEET SIZE	A4		