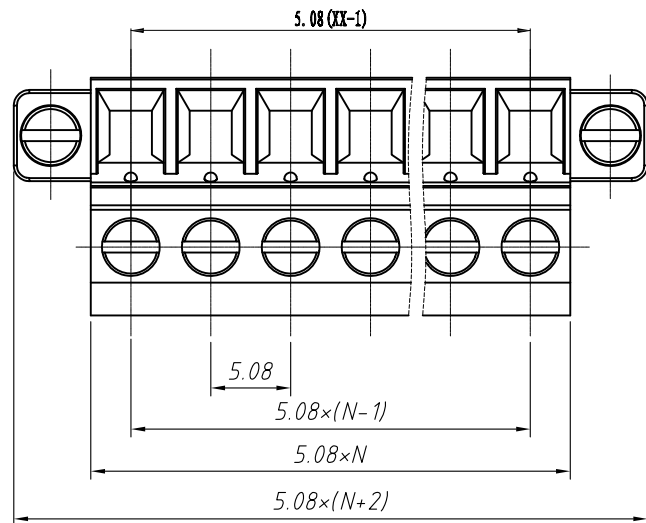


SECTION A-A



Material
Housing: PA66, UL94V-0
Cage: Steel, Zn plated
Screws: M2.5, Steel, Zn plated
Slide block: Steel, Zn plated
Clamp: Phosphor bronze, Ni plated

Electrical
Rated voltage: 300V
Rated current: 15A
Contact Resistance: 20 mΩ
Insulation resistance: 500MΩ/DC500V
Withstand voltage: AC2000V / 1 min
Wire Range: 28 ~ 14AWG 1.5mm²

Mechanical
Temp. Range: -40 °C ~ +105 °C
Strip length: 7 ~ 8mm
Torque: 0.54m(3.6Lbin)

Order Information

L-KLS2-EDKCM-5.08-XXP-4S00

RoHS
Terminal Block
Pitch
No.: of Pole
Color: 4- Green
Screw: S-Slot Screw C-Cross Screw
Product Code: 00 ~ 99

GENERAL TOLERANCE		ANGLE TOLERANCE		Description:	
X. ±0.60	.X ±0.38	X. ±5°	.X ±3°	Pluggable Terminal Block 5.08 MM	
.XX ±0.25		.XX ±2°		KLS P/N:	KLS2-EDKCM-5.08-XXP-4S-00
Draw by	2015-09-01	PROJECTION			NingBo KLS ELECTRONIC CO.,LTD.
Check by	2015-09-15	UNITS	mm		
SCALE		SHEET SIZE	A4		