

SECTION A-A

**Material**

Screw: M3, Steel, Zn plated  
 Cage: Brass, Nickel plated  
 Pin header: Brass, Tin plated  
 Housing: PA66, UL94V-0

**Electrical**

Rated voltage: 300V  
 Rated current: 15A  
 Wire range: 28~14AWG 2.5mm<sup>2</sup>  
 Contact Resistance: 20 mΩ  
 Insulation resistance: 500MΩ/DC500V  
 Withstand voltage: AC2000V / 1 min

**Mechanical**

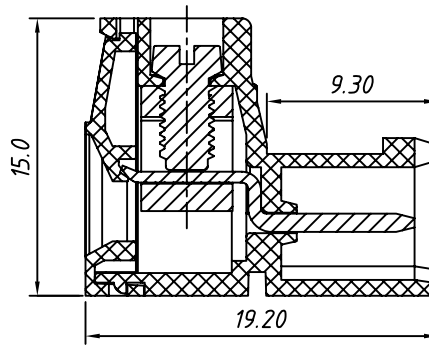
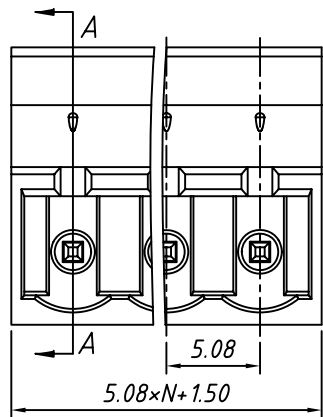
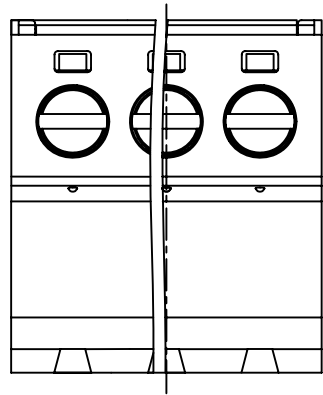
Temp. Range: -40 °C ~ +105 °C  
 Torque: 0.5 N.m (4.43 Lb. in)  
 Strip length: 7~8 mm

**Order Information**

L-KLS2-DGKR-5.00-XXP-4 S XX  
 RoHS  
 Terminal Block  
 Pitch  
 No. of Pole  
 Product Code: 00~99  
 Screw: S- Slot Screw  
 Color: 4- Green

GENERAL TOLERANCE		ANGLE TOLERANCE		PROJECTION	Description:
.X	±0.60	.X	±5°	UNITS	Plug-in TERM BLOCK 5.00MM
.X	±0.38	.X	±3°	SHEET SIZE	
.XX	±0.25	.XX	±2°	KLS P/N:	
Draw by: Date		2015-09-01		KLS2-DGKR-5.00-XXP-4S	
Check by: Date		2015-09-15			
SCALE		SHEET	OF		

KLS ELECTRONIC CO., LTD.



SECTION A-A

**Material**

Screw: M3, Steel, Zn plated  
 Cage: Brass, Nickel plated  
 Pin header: Brass, Tin plated  
 Housing: PA66, UL94V-0

**Electrical**

Rated voltage: 300V  
 Rated current: 15A  
 Wire range: 28 ~ 14AWG 2.5mm<sup>2</sup>  
 Contact Resistance: 20 mΩ  
 Insulation resistance: 500MΩ/DC500V  
 Withstand voltage: AC2000V / 1 min

**Mechanical**

Temp. Range: -40 °C ~ +105 °C  
 Torque: 0.5 N.m (4.43 Lb. in)  
 Strip length: 7 ~ 8 mm

**Order Information**

L-KLS2-DGKR-5.08-XXP-4 S XX  
 RoHS  
 Terminal Block  
 Pitch  
 No. of Pole  
 Product Code: 00 ~ 99  
 Screw: S- Slot Screw  
 Color: 4- Green

GENERAL TOLERANCE		ANGLE TOLERANCE		PROJECTION	Description:	
X	±0.60	X	±5°	UNITS	Plug-in TERM BLOCK 5.08MM	
.X	±0.38	.X	±3°	SHEET SIZE		A4
.XX	±0.25	.XX	±2°	KLS P/N:		KLS2-DGKR-5.08-XXP-4S

Draw by: Date	2015-09-01
Check by: Date	2015-09-15
SCALE	SHEET OF

KLS ELECTRONIC CO., LTD.