

Material
Housing: PA66, UL94V-0
Cage: Brass, Ni plated
Clamp: Phosphor bronze, Ni plated
Screws: M3.0, Steel, Zn plated

Electrical
Rated voltage: 300V
Rated current: 15A
Contact Resistance: 20 mΩ
Insulation resistance: 500MΩ/DC500V
Withstand voltage: AC2000V / 1 min
Wire Range: 28~14AWG 1.5mm²

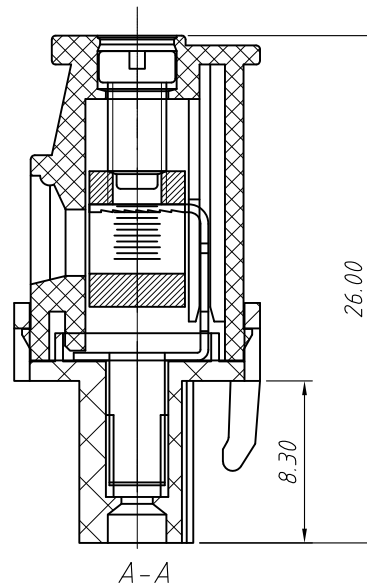
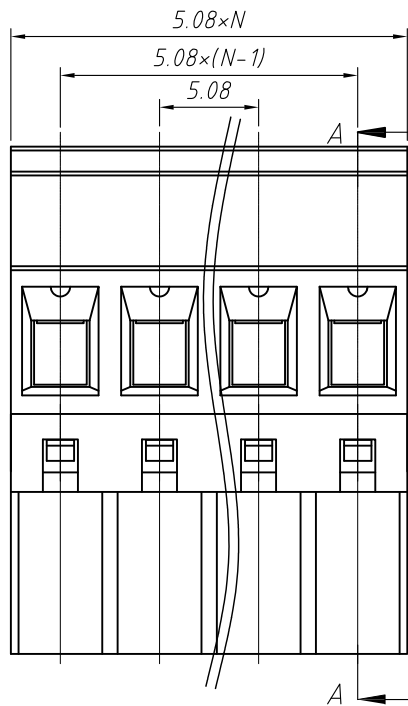
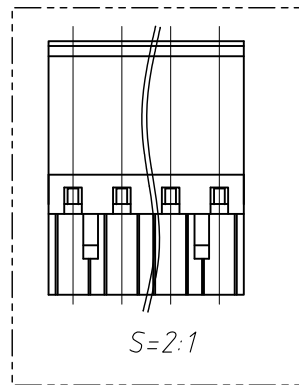
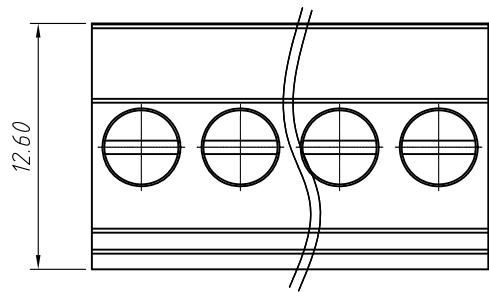
Mechanical
Temp. Range: -40 °C ~ +105 °C
Strip length: 7~8mm
Torque: 0.5Nm(4.5Lbin)

Order Information

L-KLS2-EDKB-5.00-XXP-4S00

RoHS
Terminal Block
Pitch
No.: of Pole
Color: 4- Green
Screw: S-Slot Screw C-Cross Screw
Product Code: 00~99

GENERAL TOLERANCE		ANGLE TOLERANCE		Description:
X.	±0.60	X.	±5°	Pluggable Terminal Block 5.00 MM
.X	±0.38	.X	±3°	
.XX	±0.25	.XX	±2°	
Draw by	2015-09-01	PROJECTION		KLS P/N: KLS2-EDKB-5.00-XXP-4S-00
Check by	2015-09-15	UNITS	mm	NingBo KLS ELECTRONIC CO.,L TD.
SCALE		SHEET SIZE	A4	



Material
 Housing: PA66, UL 94V-0
 Cage: Brass, Ni plated
 Clamp: Phosphor bronze, Ni plated
 Screws: M3.0, Steel, Zn plated

Electrical
 Rated voltage: 300V
 Rated current: 15A
 Contact Resistance: 20 mΩ
 Insulation resistance: 500MΩ/DC500V
 Withstand voltage: AC2000V / 1 min
 Wire Range: 28 ~ 14AWG 1.5mm²

Mechanical
 Temp. Range: -40 °C ~ +105 °C
 Strip length: 7 ~ 8mm
 Torque: 0.5Nm (4.5Lbin)

Order Information

L-KLS2-EDKB-5.08-XXP-4 S 00

RoHS _____
 Terminal Block _____
 Pitch _____
 No.: of Pole _____
 Color: 4- Green _____
 Screw: S-Slot Screw C-Cross Screw _____
 Product Code: 00 ~ 99 _____

GENERAL TOLERANCE		ANGLE TOLERANCE		Description:
X. ±0.60		X. ±5°		Pluggable Terminal Block 5.08 MM
.X ±0.38		.X ±3°		
.XX ±0.25		.XX ±2°		
Draw by	2015-09-01	PROJECTION		KLS P/N: KLS2-EDKB-5.08-XXP-4S-00
Check by	2015-09-15	UNITS	mm	NingBo KLS ELECTRONIC CO.,L TD.
SCALE		SHEET SIZE	A4	