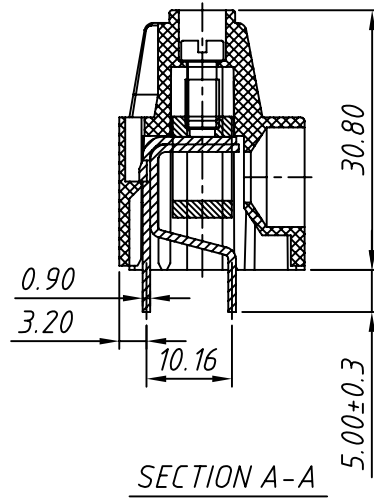


PCB LAYOUT



SECTION A-A

Material

Screw: M4.0, steel, Zn plated

Cage: Brass, Nickel plated

Pin header: Brass, Tin plated

Housing: PA66, UL94V-0, Green

Electrical

Rated voltage: 300V

Rated current: 60A

Wire range: 20~6AWG 10mm<sup>2</sup>

Contact Resistance: 20 mΩ

Insulation resistance: 500MΩ/DC500V

Withstand voltage: AC2500V / 1 min

Mechanical

Temp. Range: -40 °C ~ +105 °C

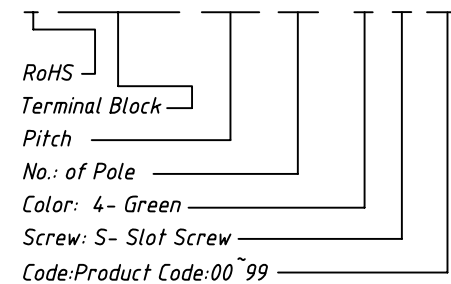
Soldering: 250 °C 5Sec. Max.

Torque: 1.2 N.m (10.5 Lb. in)

Strip length: 9~10 mm

Order Information

L-KLS2-151-12.7-XXP-4 S XX



GENERAL TOLERANCE	ANGLE TOLERANCE	PROJECTION	Description:
X. ±0.60	X. ±5°	UNITS	Screw CONN TERM BLOCK 12.7MM
.X ±0.38	.X ±3°	SHEET SIZE	
.XX ±0.25	.XX ±2°	KLS P/N:	
Draw by: Date		2015-09-01	
Check by: Date		2015-09-15	
SCALE		SHEET OF	

KLS ELECTRONIC CO., LTD.