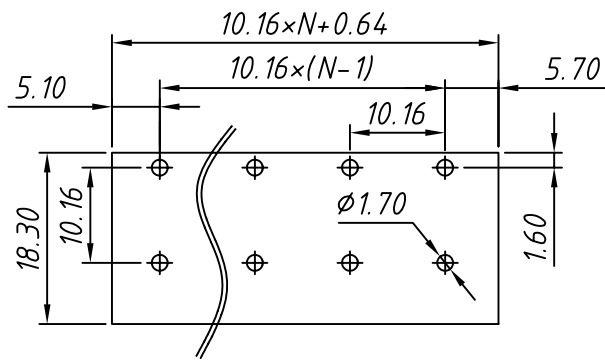


SECTION A-A



PCB LAYOUT

**Material**

Screw: M4.0, steel, Zn plated  
 Cage: Brass, Nickel plated  
 Pin header: Brass, Tin plated  
 Housing: PA66, UL94V-0

**Electrical**

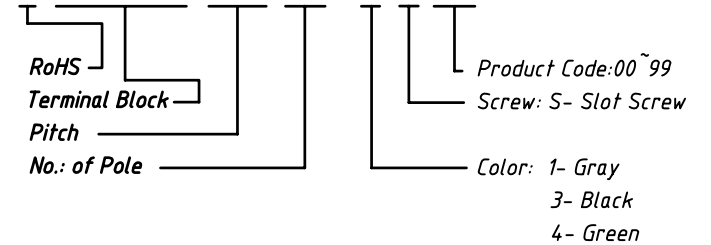
Rated voltage: 600V  
 Rated current: 60A  
 Wire range: 20~6AWG 10mm<sup>2</sup>  
 Contact Resistance: 20 mΩ  
 Insulation resistance: 500MΩ/DC1000V  
 Withstand voltage: AC2500V / 1 min

**Mechanical**

Temp. Range: -40 °C ~ +105 °C  
 Soldering: 250 °C 5Sec. Max.  
 Torque: 1.2 Nm (10.5 Lb.) in  
 Strip length: 9~10 mm

**Order Information**

L-KLS2-149-10.16-XXP-4 S XX



GENERAL TOLERANCE		ANGLE TOLERANCE		PROJECTION	Description:
X. ±0.60	.X ±0.38	X. ±5°	.X ±3°	UNITS	Screw CONN TERM BLOCK 10.16MM
.XX ±0.25		.XX ±2°		SHEET SIZE	
				KLS P/N:	

Draw by: Date	2015-09-01
Check by: Date	2015-09-15
SCALE	SHEET OF

KLS ELECTRONIC CO., LTD.