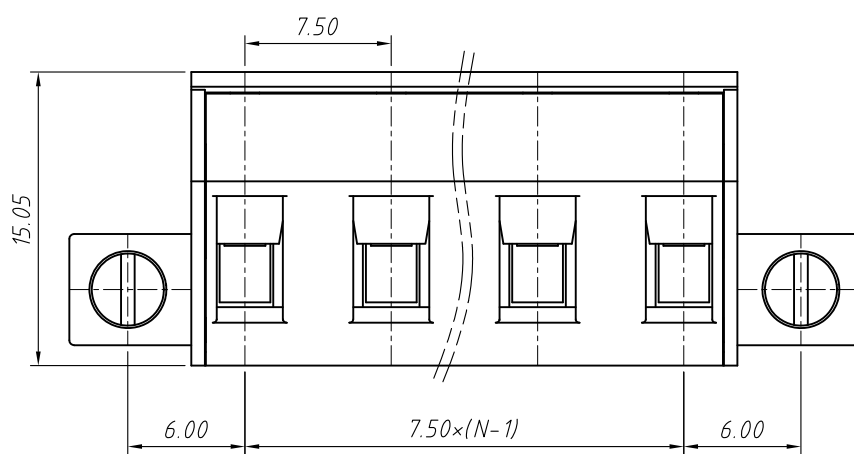


SECTION A-A



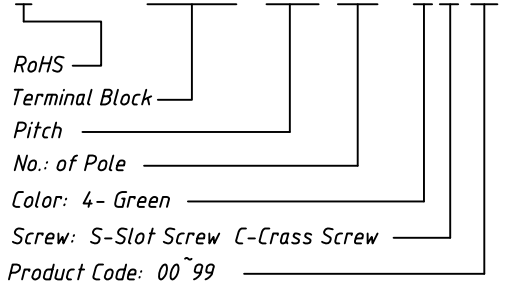
**Material**  
 Housing: PA66, UL 94V-0  
 Screws: M3 Steel, Zn plated  
 Cage: Brass, Ni plated  
 Fixing Screws: M2.5 Steel, Zn plated  
 Clamp: Phosphor bronze, Ni Plated

**Electrical**  
 Rated voltage: 300V  
 Rated current: 15A  
 Contact Resistance: 20 mΩ  
 Insulation resistance: 500MΩ/DC500V  
 Withstand voltage: AC2000V / 1 min  
 Wire Range: 28~14AWG 1.5mm<sup>2</sup>

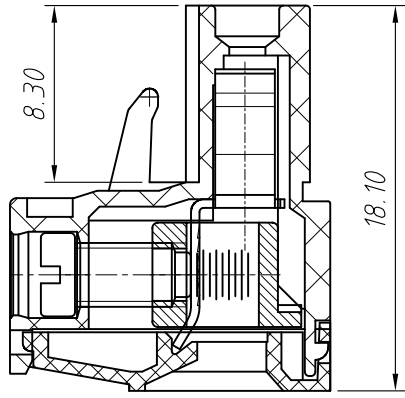
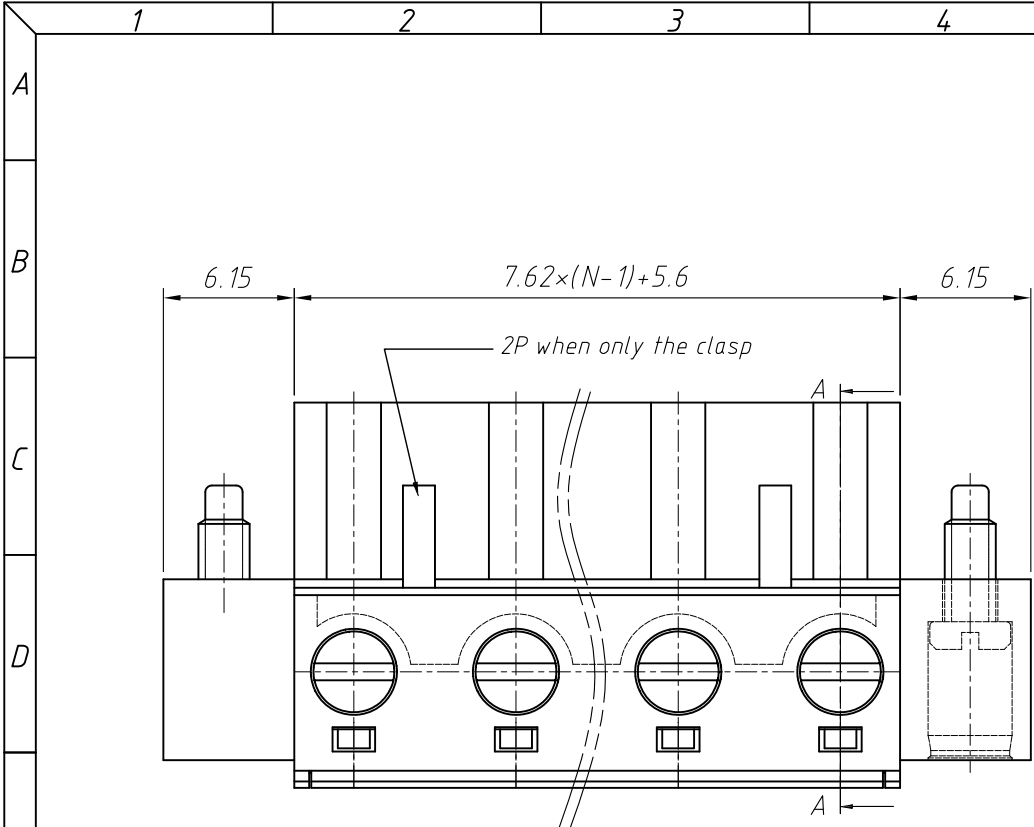
**Mechanical**  
 Temp. Range: -40 °C ~ +105 °C  
 Strip length: 7~8mm  
 Torque: 0.5Nm(4.5bin)

**Order Information**

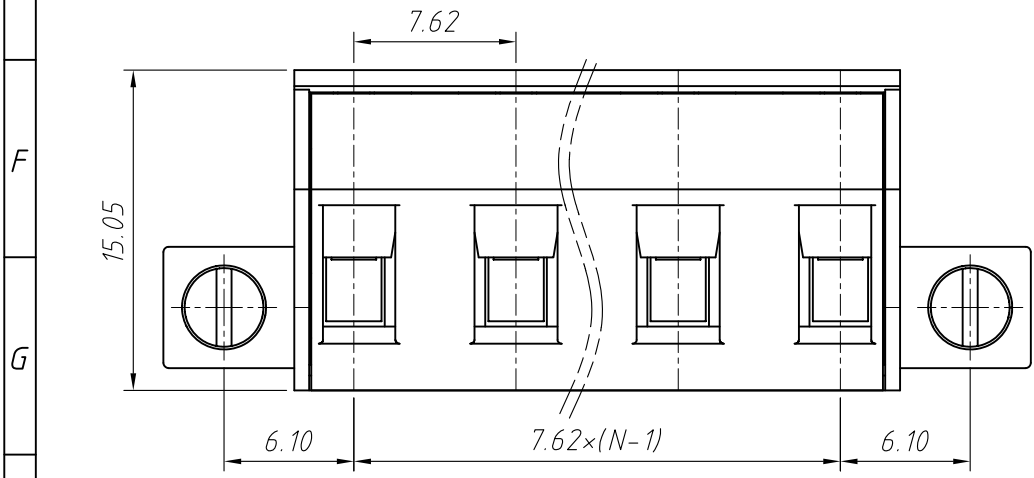
L-KLS2- EDCKM -7.50-XXP-4 S 00



GENERAL TOLERANCE		ANGLE TOLERANCE		Description:	
X. ±0.60		X. ±5°		Plug-in TERM BLOCK 7.50MM	
.X ±0.38		.X ±3°		KLS P/N:	KLS2-EDCKM-7.50-XXP-4S-00
.XX ±0.25		.XX ±2°			
Draw by	2015-09-01	PROJECTION		NingBo KLS ELECTRONIC CO.,L TD.	
Check by	2015-09-15	UNITS	mm		
SCALE		SHEET SIZE	A4		



SECTION A-A



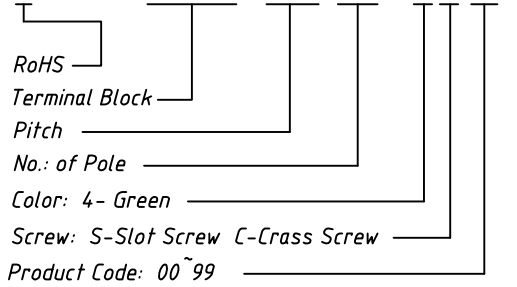
**Material**  
 Housing: PA66, UL 94V-0  
 Screws: M3 Steel, Zn plated  
 Wire guard: Brass, Ni plated  
 Fixing Screws: M2.5 Steel, Zn plated  
 Clamp: Phosphor bronze, Ni Plated

**Electrical**  
 Rated voltage: 300V  
 Rated current: 15A  
 Contact Resistance: 20 mΩ  
 Insulation resistance: 500MΩ/DC500V  
 Withstand voltage: AC2000V / 1 min  
 Wire Range: 28 ~ 14AWG 1.5mm<sup>2</sup>

**Mechanical**  
 Temp. Range: -40 °C ~ +105 °C  
 Strip length: 7 ~ 8mm  
 Torque: 0.5Nm(4.5bin)

**Order Information**

L-KLS2- EDCKM -7.62-XXP-4 S 00



GENERAL TOLERANCE		ANGLE TOLERANCE		Description:	
X. ±0.60	.X ±0.38	X. ±5°	.X ±3°	Plug-in TERM BLOCK 7.62MM	
.XX ±0.25		.XX ±2°		KLS P/N:	KLS2-EDCKM-7.62-XXP-4S-00
Draw by	2015-09-01	PROJECTION			NingBo KLS ELECTRONIC CO.,L TD.
Check by	2015-09-15	UNITS	mm		
SCALE		SHEET SIZE	A4		