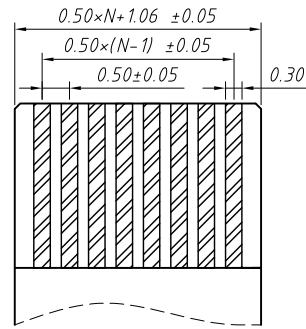
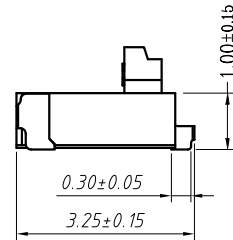
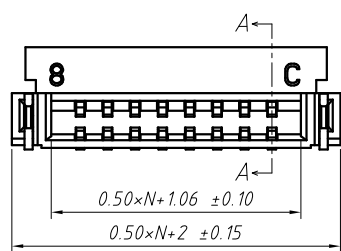


**Material**  
Housing: LCP, UL 94 V-0  
Terminal: Phosphor bronze, Gold/Tin  
Cover: LCP, UL 94 V-0  
Solder: Phosphor bronze, Tin

**Electrical**  
Voltage rating: 50 V  
Insulation resistance: 500 MΩ.Min.  
Contact resistance: 30 mΩ.Max.

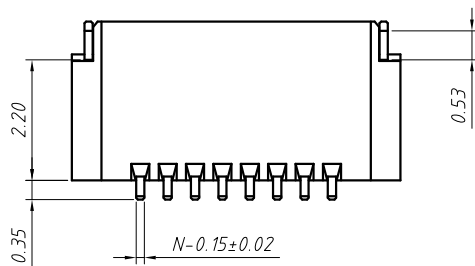
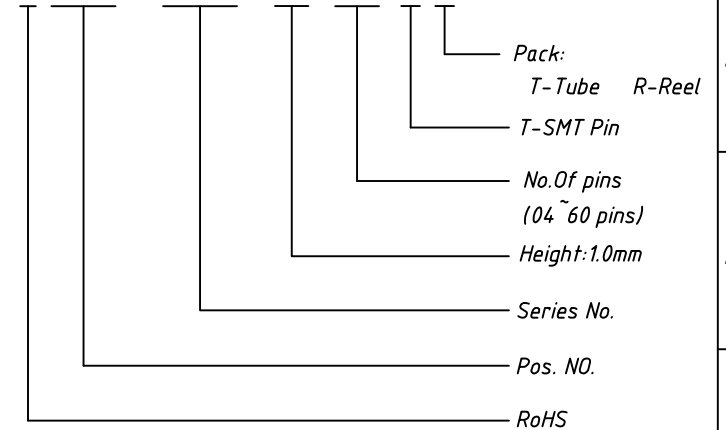
**Mechanical**  
Temp. Range: -25 °C ~ +85 °C



Proper Cable

**Order Information**

L-KLS1- 242J - 1.0- XX - T-R



GENERAL TOLERANCE	ANGLE TOLERANCE	PROJECTION	Description:
X. ±0.15	X. ±5°	UNITS	CONN FFC 0.50mm, SMD, Horizontal, with ZIF
.X ±0.03	.X ±3°	SHEET SIZE	
.XX ±0.05	.XX ±2°	KLS P/N:	
Draw by: Date		2018-03-10	
Check by: Date		2018-03-10	
SCALE	SHEET	OF	L-KLS1-242J-1.0-XX-T-R



NingBo KLS ELECTRONIC CO., L TD.