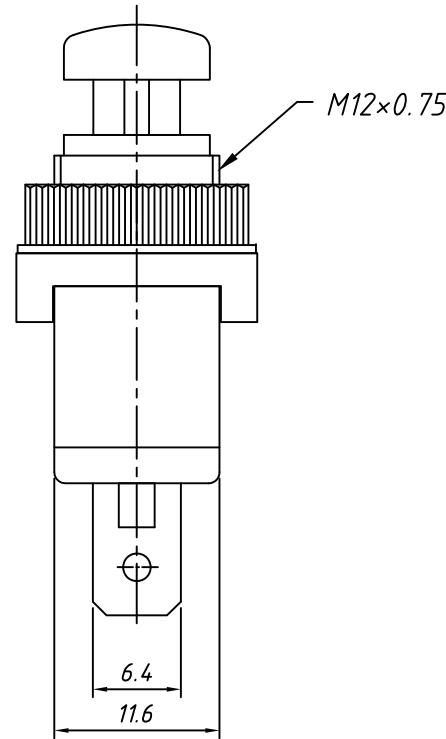
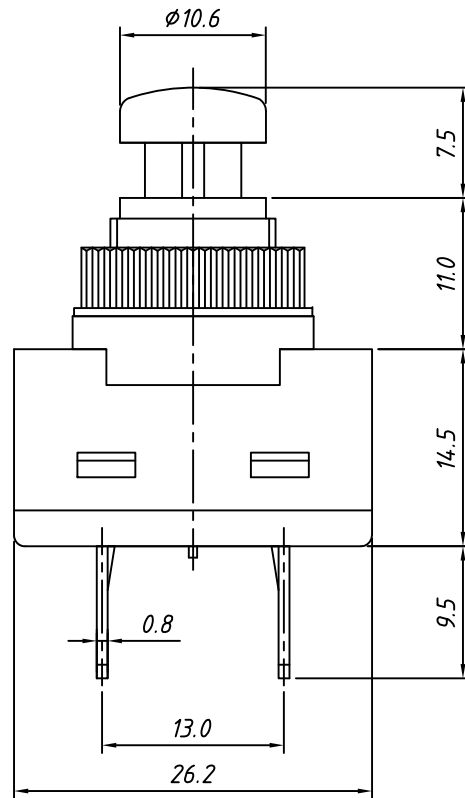


RoHS Compliant

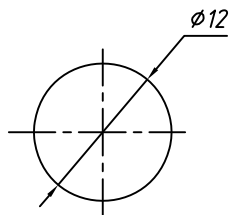


Electrical

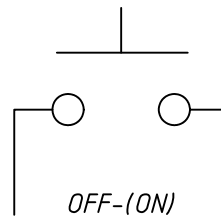
Rated voltage/current: 20A 12V DC
10A125V AC
Contact Resistance: 50 m Ω
Insulation resistance: 100MΩ/DC500V
Withstand voltage: AC1500V / 1 min
Temp. Range: -25 °C ~ +85 °C
Life: 10000 cycles

Order Information

L-KLS7- AW024 - 00
RoHS Automotive switch product



Panel Mounting



Circuitry

GENERAL TOLERANCE		ANGLE TOLERANCE		Description:	
X. ±0.60		X. ±5°		Automotive Switch OFF-(ON)	
.X ±0.38		.X ±3°		KLS P/N:	KLS7-AW024-00
.XX ±0.25		.XX ±2°			
Draw by	2015-09-01	PROJECTION			NingBo KLS ELECTRONIC CO.,L TD.
Check by	2015-09-15	UNITS	mm		
SCALE		SHEET SIZE	A4		