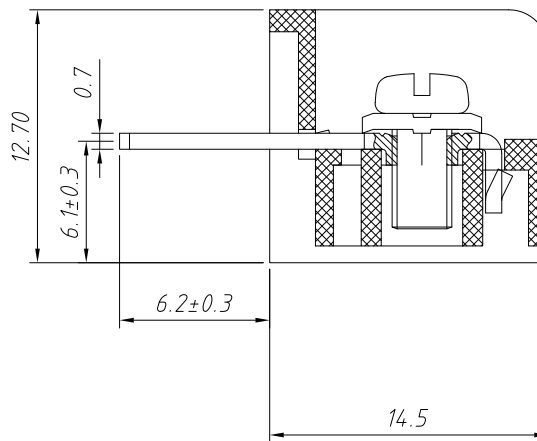


PCB LAYOUT



SECTION A-A

Material

Screw: M3, Steel, Ni Plated

Pin header: Brass, Tin Plated

Housing: PA66, UL94V-0, Black

Electrical

Rated voltage: 300V

Rated current: 10A

Wire range: 22~16AWG 1.5mm²

Contact Resistance: 20 mΩ

Insulation resistance: 500MΩ/DC500V

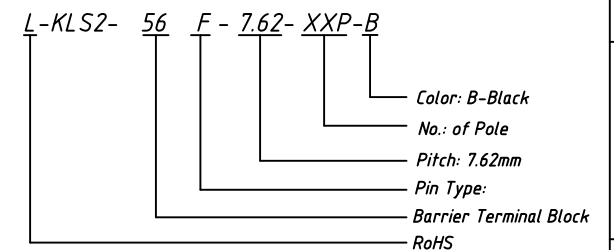
Withstand voltage: AC2000V / 1 min

Mechanical

Temp. Range: -40 °C ~ +105 °C

Torque: 0.5Nm (4.43Lb.in)

Order Information



ANGLE TOLERANCE			Description:	Barrier TERM BLOCK 7.62MM
.X ±5°			PROJECTION:	
.X ±3°				
GENERAL TOLERANCE	UNITS:	mm	KLS P/N:	KLS2-56F-7.62-XXP-B
.X ±0.60	SHEET SIZE:	A4	NingBo KLS ELECTRONIC CO.,L TD.	
.X ±0.38	Draw by:	Daniel		2018-02-26
.XX ±0.25	Check by:	Daniel		2018-02-26