

**Material**  
 Screw: M4.0, Steel, Ni Plated  
 Pin header: Brass, 0.8T, Tin Plated  
 Housing: PA66, UL94V-0,Black

**Electrical**

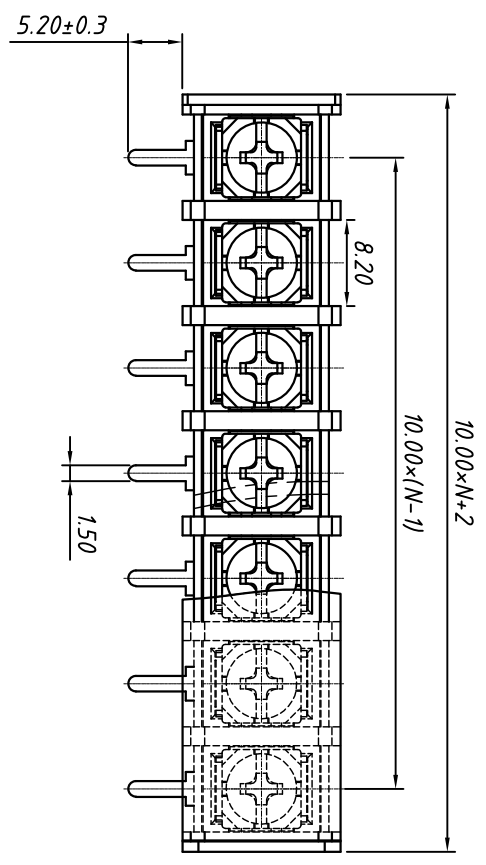
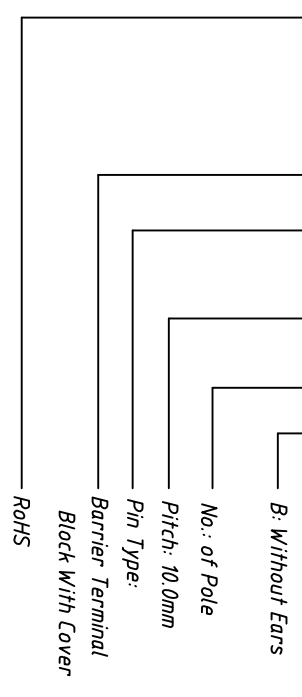
Rated voltage: 300V  
 Rated current: 20A  
 Wire range: 22~12AWG 4mm<sup>2</sup>  
 Contact Resistance: 20 mΩ  
 Insulation resistance: 500MΩ/DC500V  
 Withstand voltage: AC2000V / 1min

**Mechanical**

Temp. Range: -40 °C ~ +105 °C  
 Torque: 1.2 Nm (10.6 Lb. In)

**Order Information**

L-KLS2-48 R - 10.0-XXP-B



GENERAL TOLERANCE		ANGLE TOLERANCE		PROJECTION		Description:
X: ±0.60	.X ±0.38	.XX ±0.25	X: ±5°	.X ±3°	.XX ±2°	
Draw by: Date	2015-09-01					Barrier TERM BLOCK 10.0MM KLS2-48R-10.0-XXP-B
Check by: Date	2015-09-15					
SCALE	SHEET	OF				



Ningbo KLS ELECTRONIC CO., LTD.