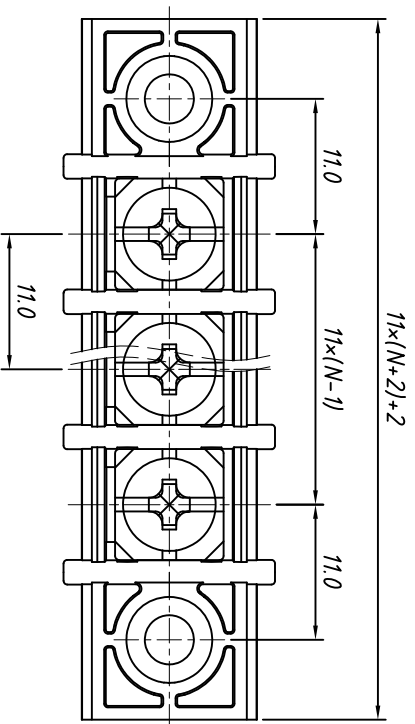


Material
 Screw: M4.0, Steel, Ni Plated
 Pin header: Brass, 0.8t, Tin Plated
 Housing: PA66, UL94V-0,Black

Electrical
 Rated voltage: 300V
 Rated current: 20A
 Wire range: 22~12AWG 4.0mm²
 Contact Resistance: 20 mΩ
 Insulation resistance: 500MΩ/DC500V
 Withstand voltage: AC2000V / 1min

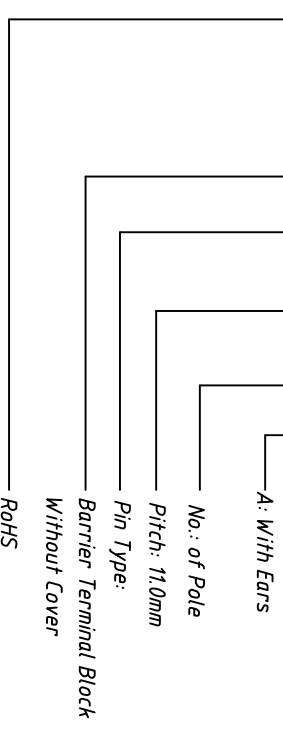
Mechanical
 Temp. Range: -40 °C ~ +105 °C
 Torque: 1.2Nm (10.6lbf.in)

SECTION A-A



Order Information

L-KLS2- 65 A - 11.0-XXP-A



GENERAL TOLERANCE		ANGLE TOLERANCE		PROJECTION		Description:
X: ±0.60	.X: ±0.38	.XX: ±0.25	X: ±5°	.X: ±3°	.XX: ±2°	
Draw by: Date	2018-02-26	SHEET		OF	Barrier TERM BLOCK 11.0MM	
Check by: Date	2018-02-26	SHEET		OF	KLS2-65A-11.0-XXP-A	
SCALE		SHEET		OF	KLS NingBo KLS ELECTRONIC CO., LTD.	

