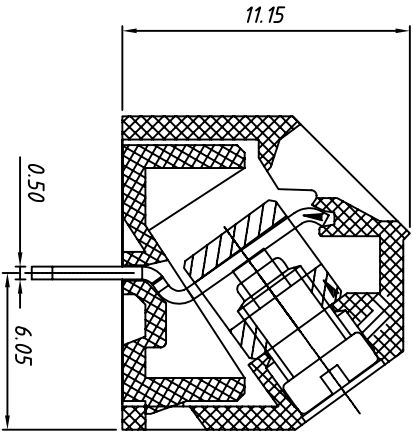
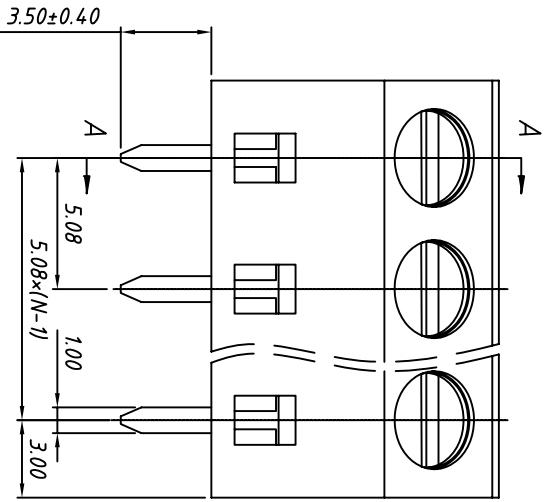


PCB LAYOUT



SECTION: A-A

**Material**

Screw: M2.5 Steel, Zn plated  
 Cage: Brass, Nickel plated  
 Pin header: Brass, Tin plated  
 Housing: PA66, UL94V-0

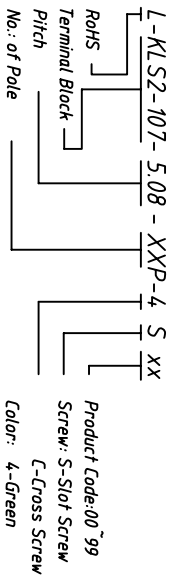
**Electrical**

Rated voltage: 300V  
 Rated current: 15A  
 Wire range: 26~14AWG 1.5mm<sup>2</sup>  
 Contact Resistance: 20 mΩ  
 Insulation resistance: 500MΩ/DC500V  
 Withstand voltage: AC2000V / 1min

**Mechanical**

Temp. Range: -40 °C ~ +105 °C  
 Soldering: 250 °C ±5 °C for 5S  
 Torque: 0.4Nm(3.54Lbin)  
 Strip length: 6~7 mm

**Order Information**



GENERAL TOLERANCE	ANGLE TOLERANCE	PROJECTION	SHEET SIZE
X. ±0.60	X. ±5°	.XX ±2°	A4
X ±0.38	.X ±3°		
XX ±0.25			
Draw by 2015-09-01	PROJECTION		
Check by 2015-09-15	UNITS	mm	
SCALE			

Description: Screw CONN Terminal Block 5.08mm

KLS P/N: KLS2-107-5.08-XXP-4S

KLS ELECTRONIC CO., LTD.