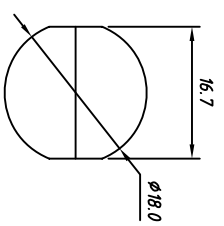
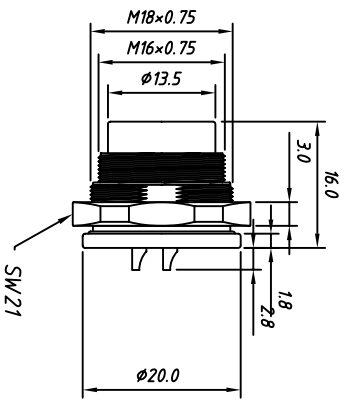
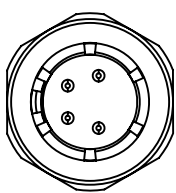


A	1		2			3		
	Male insert (Inaug side)	Contact code	Rated Current	Rated Voltage	Withstand voltage	Insulation resistance	Contact resistance	Contact Diameter
		02	7	250	1500	1500	5	Ø1.5
B		03	7	250	1500	1500	5	Ø1.5
		04	7	250	1500	1500	5	Ø1.5
C		05	6	250	1500	1500	5	Ø1.5
		5A	5	50	500	1000	5	Ø1.5
D		06	5	250	1500	1500	5	Ø1.5
		07	5	50	800	1000	5	Ø1.5
E		08	5	50	500	1000	5	Ø1.5
		12	5	50	500	1000	3	Ø1.0
F		14	5	50	500	1000	3	Ø1.0
		16	5	50	500	1000	3	Ø1.0
G		19	5	50	500	1000	3	Ø1.0
		24	5	50	500	1000	3	Ø0.5
H	UNIT	A	V	V.A.C	MΩ	mΩ	mΩ	mm



Front view



Back view

Order information

L-KLS15-253-B2 XX
 L: Rohs
 B2: C091,IP67 Soldering,
 Panel mount,Front lock, Male Pin
 XX: Contacts Code

GENERAL TOLERANCE	ANGLE TOLERANCE
X: ±0.60	X: ±5°
.X: ±0.38	.X: ±3°
.XX: ±0.25	.XX: ±2°

Draw by:	PROJECTION
Check by:	UNITS
SCALE	SHEET SIZE

Material: Zinc alloy, Nickel plated
 SHELL Housing: PA66+GF 20%
 Insert Housing: Brass, Silver plated
 Contact: Solder
 Termination: Threaded Coupling
 Locking: Straight
 Version: 500 cycles
 Mating life: IP67
 IP rating: Cable Diameter: Ø6.0 ~ Ø8.5mm
 Temperature Range: -25°C ~ +80°C

Description: Soldering Connectors, Panel mount, Front lock, Male, C091 Miniature Circular
 KLS P/N: KLS15-253-B2

KLS ELECTRONIC CO., LTD.

1	2	3	4	5	6	7	8
---	---	---	---	---	---	---	---