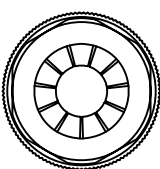
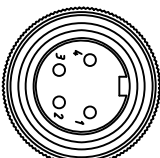
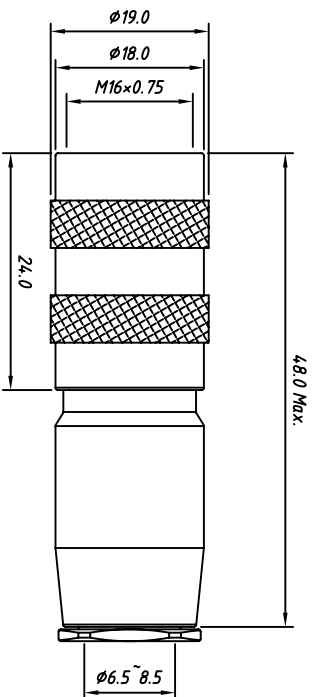


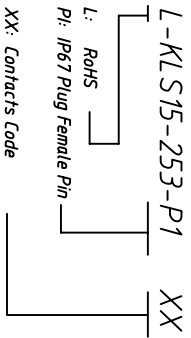
	1		2			3		4		5		6		7		8	
	Female insert (mating shield)	Contact code	Rated Current	Rated Voltage	Withstand voltage	Insulation resistance	Contact resistance	Contact diameter									
A		02	7	250	1500	1500	5	Ø1.5									
B		03	7	250	1500	1500	5	Ø1.5									
		04	7	250	1500	1500	5	Ø1.5									
		05	6	250	1500	1500	5	Ø1.5									
C		06	5	250	1500	1500	5	Ø1.5									
		07	5	50	800	1000	5	Ø1.5									
D		08	5	50	500	1000	5	Ø1.5									
		12	5	50	500	1000	3	Ø1.0									
E		14	5	50	500	1000	3	Ø1.0									
		16	5	50	500	1000	3	Ø1.0									
F		19	5	50	500	1000	3	Ø1.0									
		24	5	50	500	1000	3	Ø0.5									
G	UNIT	A	V	V.A.C	MΩ	mΩ	mm										



Front view

Back view

Order information



GENERAL TOLERANCE

X: ±0.60
.X: ±0.38
.XX: ±0.25

ANGLE TOLERANCE

X: ±5°
.X: ±3°
.XX: ±2°

Draw by:	PROJECTION	UNITS	mm
Check by:	SHEET SIZE	A4	
SCALE			

Description:	C091 Miniature Circular Connectors IP67 Plug Female
KLS P/N:	KLS15-253-P1

Material: Brass, Nickel plated
SHELL Housing: PA66+GF 20%
Insert Housing: Brass, Silver plated
Contact: Solder
Termination: Threaded Coupling
Locking: Straight
Version: 500 cycles
Mating life: IP67
IP rating: 48.0 Max.
Cable Diameter: 06.0 ~ 08.5mm
Temperature Range: -25°C ~ +80°C

KLS ELECTRONIC CO., LTD.