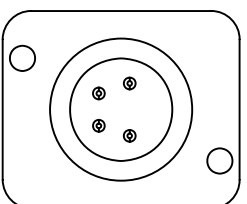
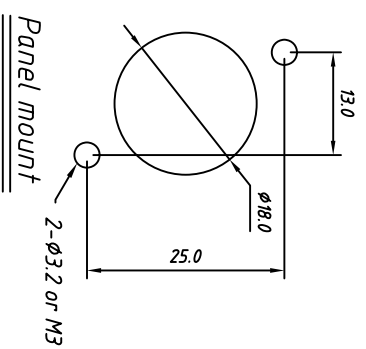
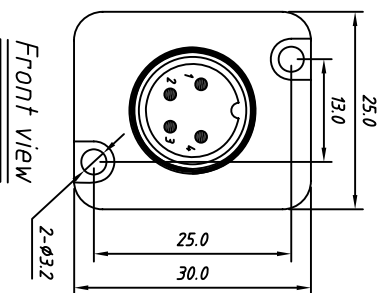
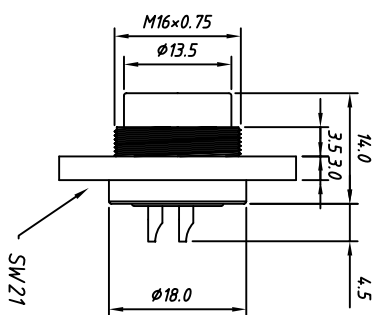


	1	2			3			
	Male insert (mating shield)	Contact code	Rated Current	Rated Voltage	Withstand voltage	Insulation resistance	Contact resistance	Contact Diameter
A		02	7	250	1500	1500	5	Ø1.5
B		03	7	250	1500	1500	5	Ø1.5
B		04	7	250	1500	1500	5	Ø1.5
B		05	6	250	1500	1500	5	Ø1.5
C		5A	5	50	500	1000	5	Ø1.5
C		06	5	250	1500	1500	5	Ø1.5
D		07	5	50	800	1000	5	Ø1.5
D		08	5	50	500	1000	5	Ø1.5
E		12	5	50	500	1000	3	Ø1.0
F		14	5	50	500	1000	3	Ø1.0
F		16	5	50	500	1000	3	Ø1.0
F		19	5	50	500	1000	3	Ø1.0
G		24	5	50	500	1000	3	Ø0.5
H	UNIT	A	V	V.A.C	MΩ	mΩ	mm	



Order information

L-KLS15-253-J09-XX M5
 L: RoHS
 J09: C091 Miniature Circular Connector
 XX: Contacts Code
 M5: Soldering Connectors Flange Panel mount, Male Pin

GENERAL TOLERANCE

X: ±0.60
 .X: ±0.38
 .XX: ±0.25

ANGLE TOLERANCE

X: ±5°
 .X: ±3°
 .XX: ±2°

Draw by:	PROJECTION	UNITS	SHEET SIZE
Check by:		mm	A4
SCALE			

Description: Soldering Connectors, Flange Panel mount, Male, C091 Miniature Circular

KLS P/N: KLS15-253-J09-XXM5

KLS ELECTRONIC CO., LTD.

Material: SHELL Housing: Zinc alloy, Nickel plated
 Insert Housing: PA66+GF 20%
Contact: Brass, Silver plated
Termination: Solder
Locking: Threaded Coupling
Version: Straight
Mating life: 500 cycles
IP rating: IP65
Cable Diameter: Ø6.0 ~ Ø8.5mm
Temperature Range: -25°C ~ +80°C