



AC Power Sockets*AC Plugs

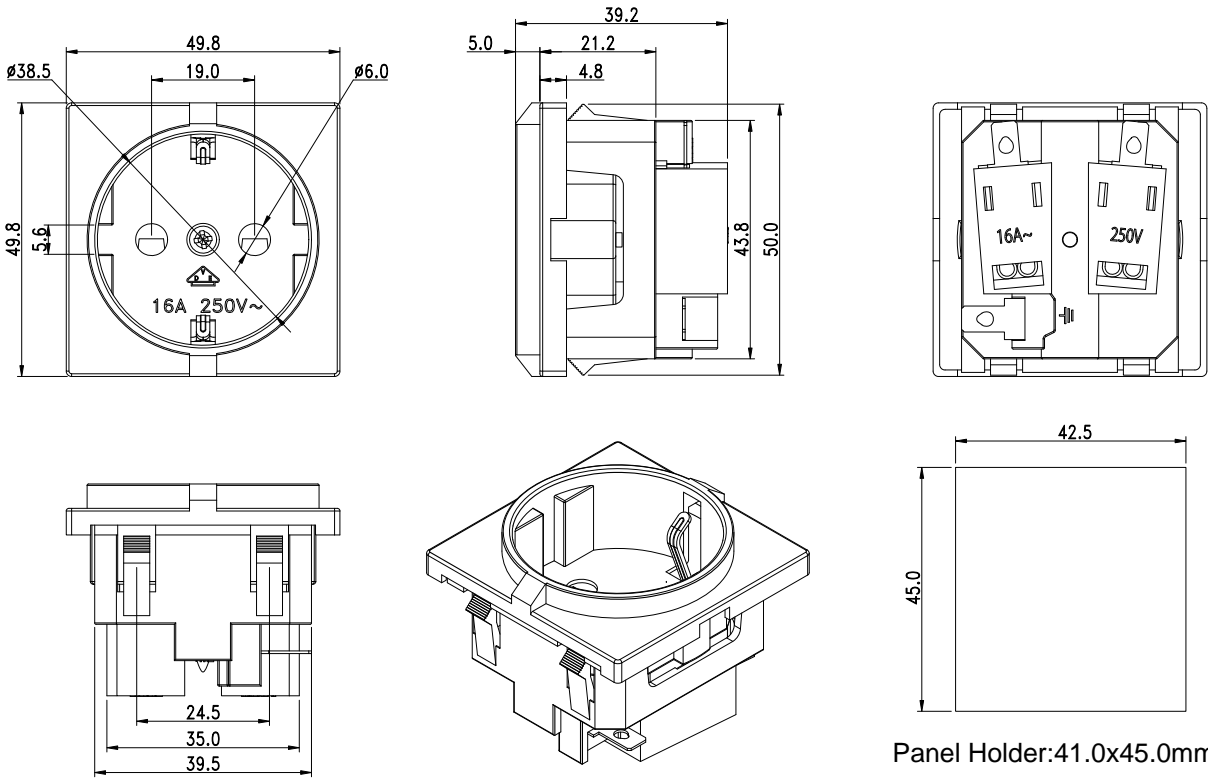
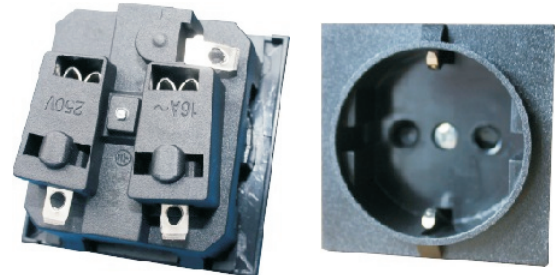
KLS1-AS-504 AC Power Sockets*AC Plugs

Material:

Material(External): Nylon PA66 PC
 Rating Voltage: 250V 10A
 Humidity: 93%+40
 Insulation: ≥100MΩ
 Withstand Voltage: AC 500V(50Hz)/min

Electrical Characteristics:

Conduct Material: COPPER
 Temperature Range: -40℃ + 70℃
 Contact Resistance: ≤0.03Ω
 Actuating Force: 5-40N
 Lifespan: 10000times



Panel Holder:41.0x45.0mm
 Panel thickness :1.0~2.0mm

ORDER INFORMATION

Product NO.: KLS1 - AS-504

