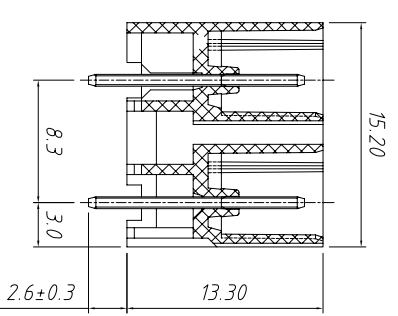


PCB LAYOUT



SECTION A-A

GENERAL TOLERANCE	ANGLE TOLERANCE
X. ± 0.60	X. $\pm 5^\circ$
X. ± 0.38	X. $\pm 3^\circ$
XX ± 0.25	XX $\pm 2^\circ$

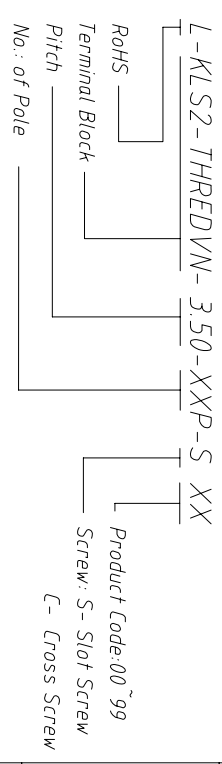
Draw by: Date	2015-09-01
Check by: Date	2015-09-15
SCALE	SHEET OF

Material
 Pin header: Brass, Tin plated
 Housing: LCP, UL94V-0, Black

Electrical
 Rated voltage: 300V
 Rated current: 8A
 Contact Resistance: 20 m Ω
 Insulation resistance: 500M Ω /DC500V
 Withstand voltage: AC2000V / 1min

Mechanical
 Temp. Range: $-40^\circ\text{C} \sim +130^\circ\text{C}$
 Soldering: $285^\circ\text{C} \pm 5^\circ\text{C}$ for 10S

Order Information



PROJECTION	Description:
UNITS	mm
SHEET SIZE	A4
KLS P/N:	KLS2-THREDVN-3.50-XXP-S

Through hole reflow 3.50mm

KLS ELECTRONIC CO., LTD.