

SFP*XFP*QSFP/QSFP+ Connectors

KLS12-SFP+07

NOTES:

MECHANICAL:

CAGES: NICKEL SILVER ALLOY, THICKNESS 0.25MM.
 CONNECTOR HOUSING: GLASS FILLED PLASTIC, 94 V-0, COLOR: BLACK.
 OVERMOLDED TERMINAL HOUSING: GLASS FILLED PLASTIC, 94 V-0, COLOR: BLACK.
 LIGHTPIPES: POLYCARBONITE, 94 V-0, COLOR: CLEAR.
 LIGHTPIPE HOLDER: GLASS FILLED PLASTIC, 94 V-0, COLOR: BLACK.
 CLIP: STAINLESS STEEL.
 EMI SPRING: COPPER ALLOY.
 TERMINAL: POSPHRR BRONZE.
 GOLD PLATING FOR CONTACT AREA, THICKNESS SEE OPTION.
 TIN PLATING FOR PRESS FIT AREA.
 NICKEL PLATING AS UNDERLAYER FOR WHOLE TERMINAL.

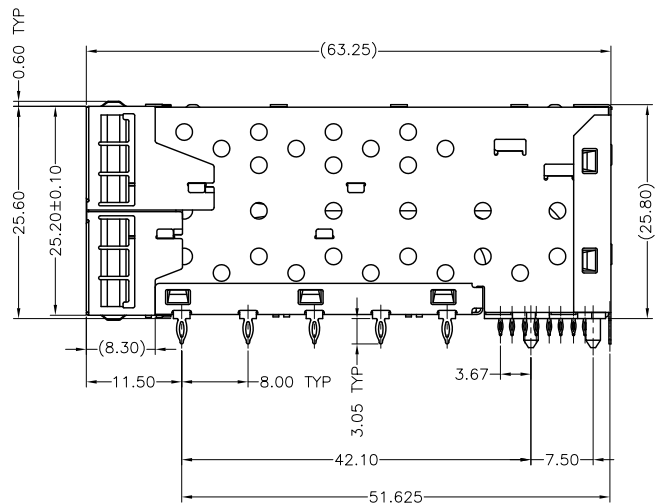
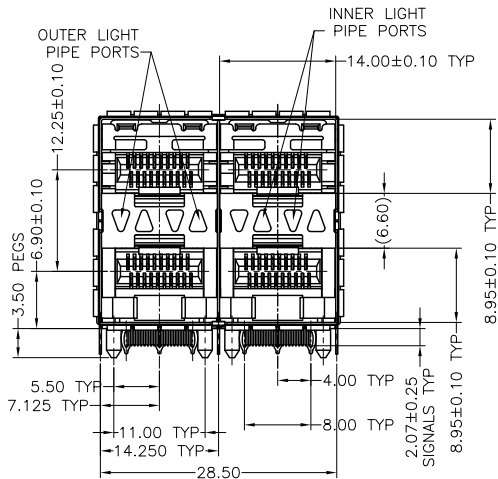
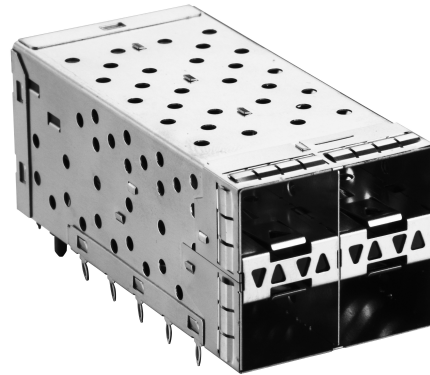
ELECTRICAL:

VOLTAGE: 30 VOLTS AC.
 CURRENT: 0.50 A PER CONTACT.
 CONTACT RESISTANCE:50 MILLIOHMS MAX;
 INSULATION RESISTANCE:1000 MEGAOHMS MIN
 AT 100 VDC FOR 1 MINUTE.

TEMPERATURE:

OPERATION: -40°C~+85°C
 STORAGE: -55°C~+105°C

LIGHTPIPE PAD LAYOUT IS FOR LOW-PROFILE LED PACKAGE. LED SIZE(LxWxH): 2x1x0.4MM MAX.
 RoHS COMPLIANCE.



ORDER INFORMATION

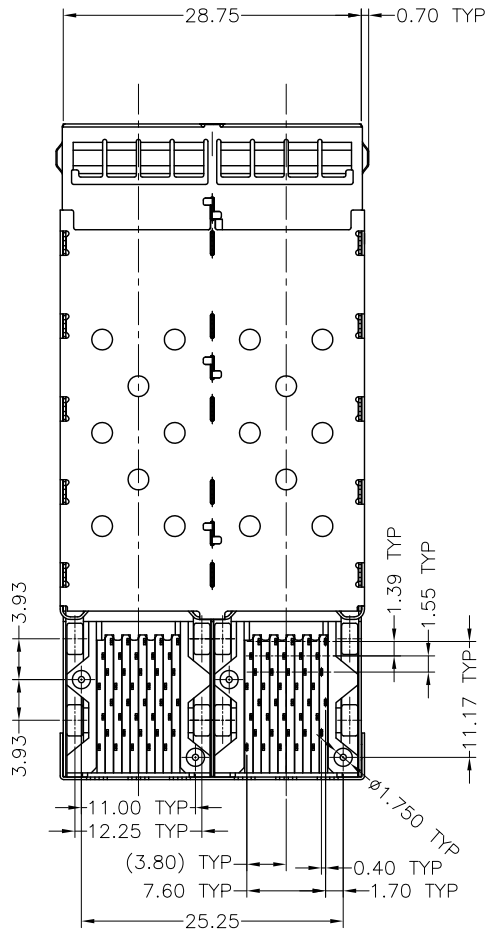
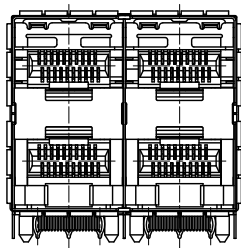
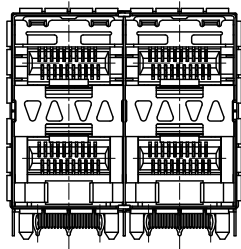
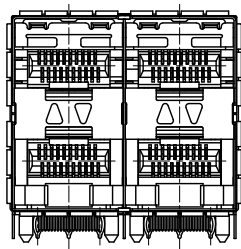
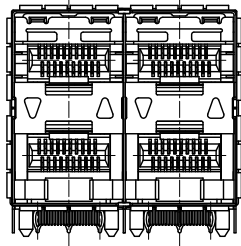
KLS12-SFP+07

Part Number

SFP*XFP*QSFP/QSFP+ Connectors

KLS12-SFP+07

XII



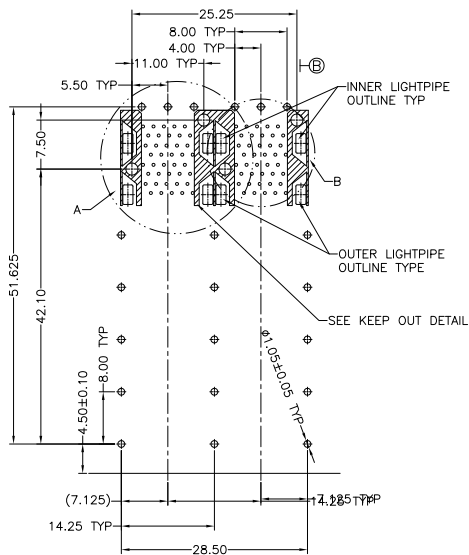
ORDER INFORMATION

KLS12-SFP+07

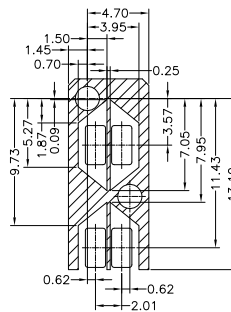
Part Number

SFP*XFP*QSFP/QSFP+ Connectors

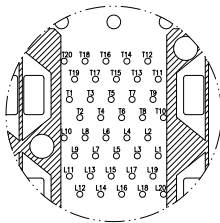
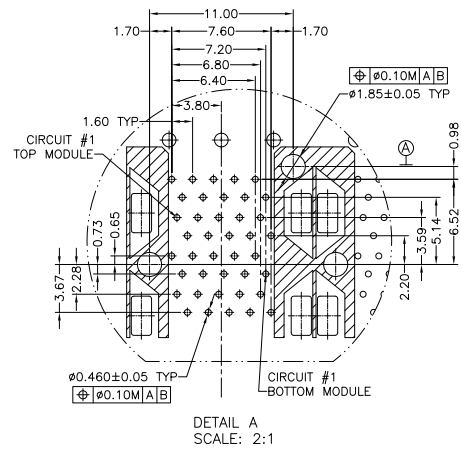
KLS12-SFP+07



RECOMMENDED PCB LAYOUT—COMPONENT SIDE
PCB THICKNESS 1.6MM MIN
TOLERANCE: ±0.05 MM



KEEP OUT ZONE DETAIL
SCALE: 2:1



CONNECTOR PIN-OUT DETAIL
COMPONENT SIDE OF BOARD
DETAIL A
DETAIL B
SCALE: 2:1

ORDER INFORMATION

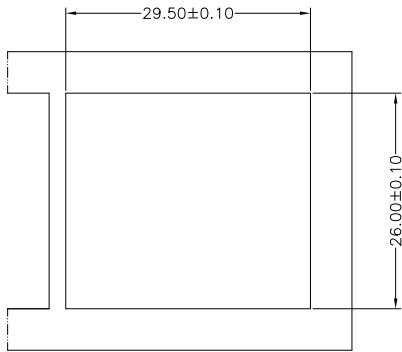
KLS12-SFP+07

Part Number

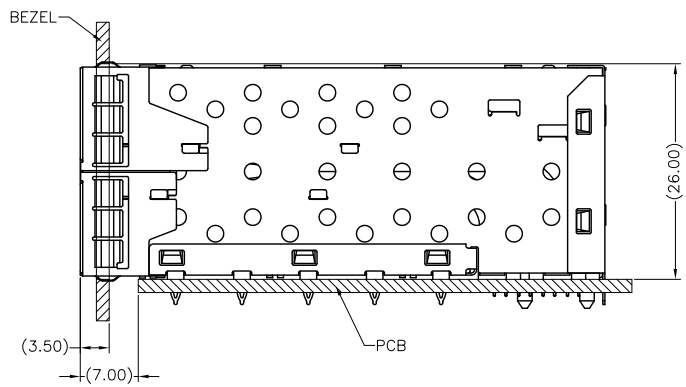
SFP*XFP*QSFP/QSFP+ Connectors

KLS12-SFP+07

XII



RECOMMENDED BEZEL CUT-OUT CENTER DETAIL
BEZEL THICKNESS 0.8~2.6MM



ORDER INFORMATION

KLS12-SFP+07

Part Number