

RJ45 with Transformer

KLS12-TL181 1000Base1x4 Tab-up RJ45

Electrical Specifications:

Insertion Loss: 1-100MHZ -1.0dB MAX

Return Loss: 1-30MHZ -16.0dB MIN

30-60MHZ -14.0dB MIN

60-80MHZ -10.0dB MIN

Cross Talk: 1-30MHZ -40.0dB MIN

30-60MHZ -35.0dB MIN

60-80MHZ -30.0dB MIN

CMR: 1-100MHZ -35.0dB MIN

Hi-Pot:(Isolation Voltage)1500v AC OR 2250 DC 6S 1mA

100% OF PRODUCTION TESTED TO COMPLY

WITH IEEE 802.3 ISOLATION REQUIREMENTS

BALANCED DC LINE CURRENT 350mA MAX

@48V DC CONTINUOUS

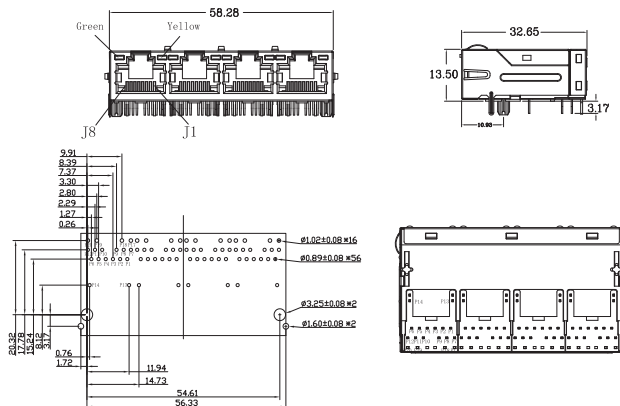
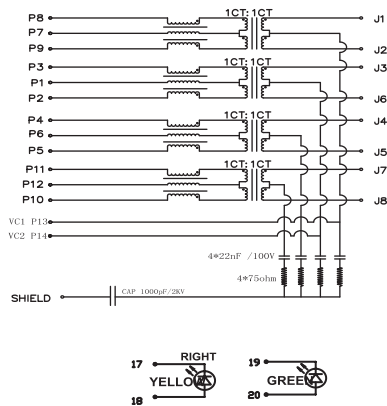
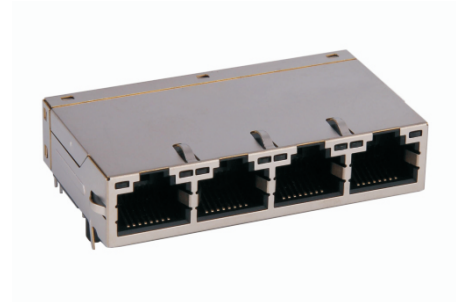
OCL:350uH MIN @ 100KHZ 100mV RMS(4CHANNEL)

11mA DC BIAS

Contacts: 0.35mm thick phos bronze plated with 6u' gold in contact area

Housing Material:PBT Black

Operating temperature range:-40°C- +85°C



ORDER INFORMATION

L-KLS12-TL181 -1X4 - G

Part Number

Part Number

LED Style

1x4Ports

G-Green/Yellow