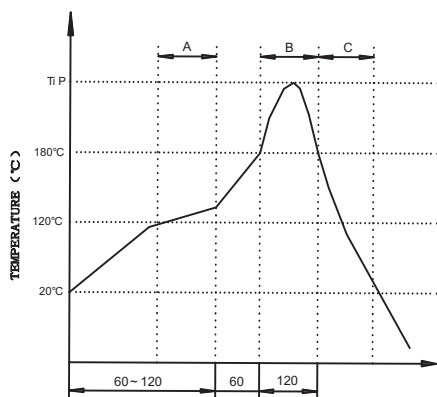


RJ45 with Transformer

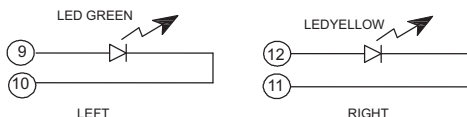
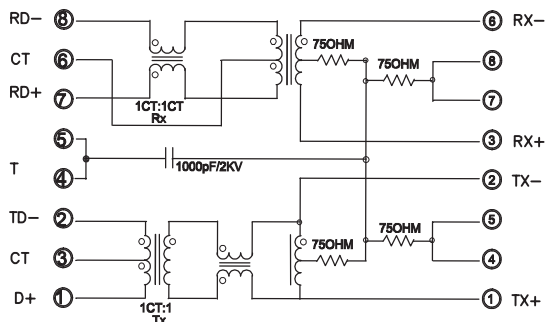
KLS12-TL051 100Base 1x1 Tab-down RJ45

PROFILE OF WAVESOLDER



A. Preheating B. Soldering C. Gradual Cooling
Tip temperature: 260±5°C.
Tip temperature time: 5Sec Max.
Tip melting Point of Sn96.5/Ag3/Cu0.5: 217°C.

After the wave solder, the plastic column of product under the pcb will have a slight plastic melting situation.



Material:

Housing :PBT+30%GF,UL94V-0,Black.
Plastic bracket :PBT+30%GF,UL94V-0,Black.
Shell: C2680R-H,T=0.20mm,Nickel plated on all area.
Contact terminal:Phosphor bronze C5210R-EH,T=0.35mm,
Gold plated 6u" on mating area.
Solder terminal:Brass,C2680-H,T=0.35mm.Tin plated
80u"Min. on solder area.

Mechanical:

Durability :750 cycles Min.
Mating force :22N Max.
Operating temperature:-40°C~+85°C.

ORDER INFORMATION

L-KLS12-TL051 -1X1 - G

Part Number	Ports	LED Style
	1x1 Ports	G/Yellow/Green