

Ethernet magnetic Transformers

KLS12-TFR-004 1000 Base

Electrical Specifications:

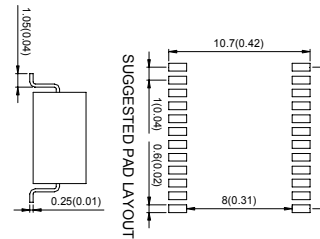
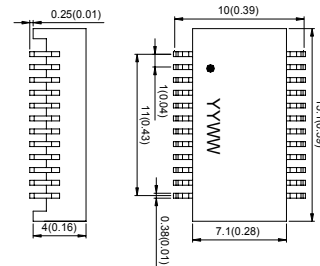
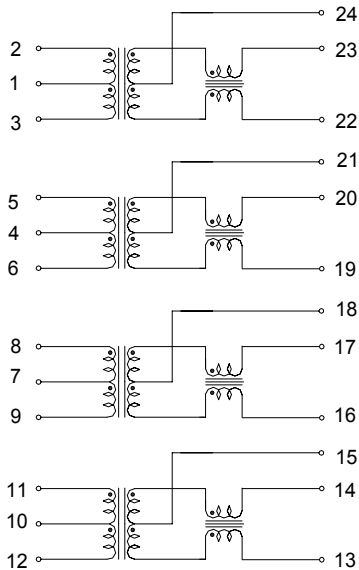
- Designed to meet IEEE 802.3 requirements.
- Operating Humidity:90%RH
- Storage temperature range:-40 ~ +80°C,90%RH
- RoHS compliant



XII

Electrical Specification@25°C Operating Temperature 0 to +70°C							
Part NO	Trun Ratio (±3%)		OCL primary@ 100KHz/0.1Vrms,with8 mA DC Bais	Leakage primary@ 10KHz,0.1Vrms	Cww (Pri.:Sec.)	DCR (Ω)	
	TX	RX				Primary	Secondary
KG2401PR	1CT:1CT	1CT:1CT	350uH Min	0.5uH max	35pF Max	1.0 Max	1.2 Max

Electrical Specification@25°C Operating Temperature 0 to +70°C									
Part NO	Insertion loss (dB max) 1-100MHz	Return loss(dB min) MHz				DMRR (dB min .) MHz		Crosstalk (dB min .) MHz	Isolation Voltage (Vrms min)
		1-30	40	50	60-100	1-60	60-100		
KG2401PR	-1.0	-18	-16	-16	-10	-35	-30	-33	1500



ORDER INFORMATION

L-KLS12-TFR-004

Part Number