

Specification:

Frequency Range: 1595 ± 3 MHz

Band Width: 10.0 MHz Min.

Polarization: RHCP

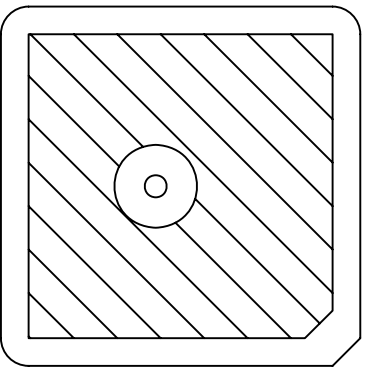
In/Out Impedance: 50Ω

Gain: 2 dBi (Zenith)

V.S.W.R: 1.5 Max.

Axial Ratio: 3.0 dB Max.

Operating Temperature: $-40^\circ \text{C} \sim +85^\circ \text{C}$



GENERAL TOLERANCE		ANGLE TOLERANCE		PROJECTION		Description:
X.	± 0.60	X.	$\pm 5^\circ$	UNITS		
.X	± 0.38	.X	$\pm 3^\circ$	SHEET SIZE	A4	GPS Dielectric Antenna
.XX	± 0.25	.XX	$\pm 2^\circ$	KLS P/N:	KLS-C1840-1595	
Draw by: Date		2016-11-11				
Check by: Date		2016-11-11				
SCALE		SHEET		OF		

KLS ELECTRONIC CO., LTD.