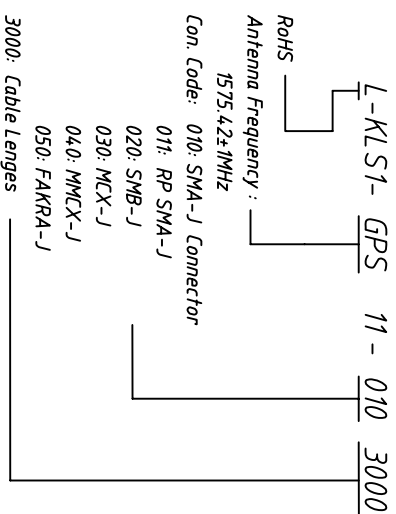


Specification:
 Antenna
 Center Frequency: 1575.42±.1MHz
 Band Width: CF±5MHz
 Polarization: RHCP
 Gain: 5dBi (Zenith)
 V.S.W.R: <1.5
 Impedance: 50Ω
 Axial Ratio: 3dB (max)
 Dimension: 25×25×4mm

LAN
 Gain: 28±2dB
 Noise Figure: <1.5
 Filter Insertion Loss: <3dB
 Ex-band Attenuation: 12dB@CF+50MHz/16dB@CF-50MHz
 Supply Voltage: 2.2 5V DC
 Current Consumption: 5 15mA
 V.S.W.R: <2.0
 Cable: RG174
 Connector: SMA/MCX/FAKRA or others
 Radome Material: ABS
 Mounting Method: Magnet
 Environmental: Operating Temperature : -40℃ ~ +85℃

Order Information



| GENERAL TOLERANCE | | ANGLE TOLERANCE | | PROJECTION | | Description: | |
|-------------------|-------|-----------------|-----|------------|----|------------------|-------------|
| X. | ±0.60 | X. | ±5° | UNITS | ⊕ | ⊖ | |
| .X | ±0.38 | .X | ±3° | MM | | | GPS Antenna |
| .XX | ±0.25 | .XX | ±2° | SHEET SIZE | A4 | | |
| Draw by: Date | | 2016-11-11 | | KLS P/N: | | KLS-GPS11010XXXX | |
| Check by: Date | | 2016-11-11 | | | | | |
| SCALE | | SHEET | | OF | | | |

KLS ELECTRONIC CO., LTD.