

Specification:

Frequency : 2400 ~ 2500MHz

Gain : 3dBi

Vswr : 1.5 Max.

Impedance : 50 Ω

Polarization : Vertical

Radiation : OMNIDIRECTIONAL

Max power : 50W

Shell material : PVC

Hight: 5.0±1.0MM

Connector : SMA Pin or SMA Jack

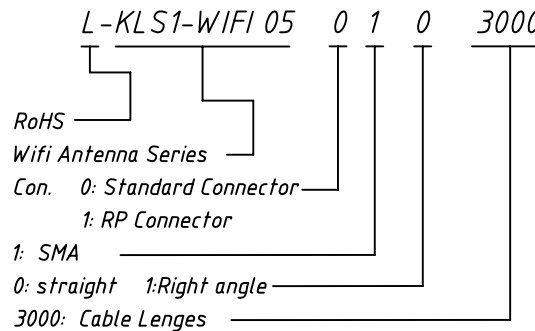
Cable: RG174, Black

Length:3000mm or Other

Lightning protection: DC Grounding

Operating Temperature : -30°C to +70°C

Order Information



GENERAL TOLERANCE		ANGLE TOLERANCE		PROJECTION	Description:
X.	±0.60	X.	±5°	UNITS	mm
.X	±0.38	.X	±3°	SHEET SIZE	A4
.XX	±0.25	.XX	±2°	KLS P/N:	KLS1-WIFI05010XXXX
Draw by: Date		2016-11-11		KLS ELECTRONIC CO., LTD.	
Check by:: Date		2016-11-11			
SCALE		SHEET	OF		