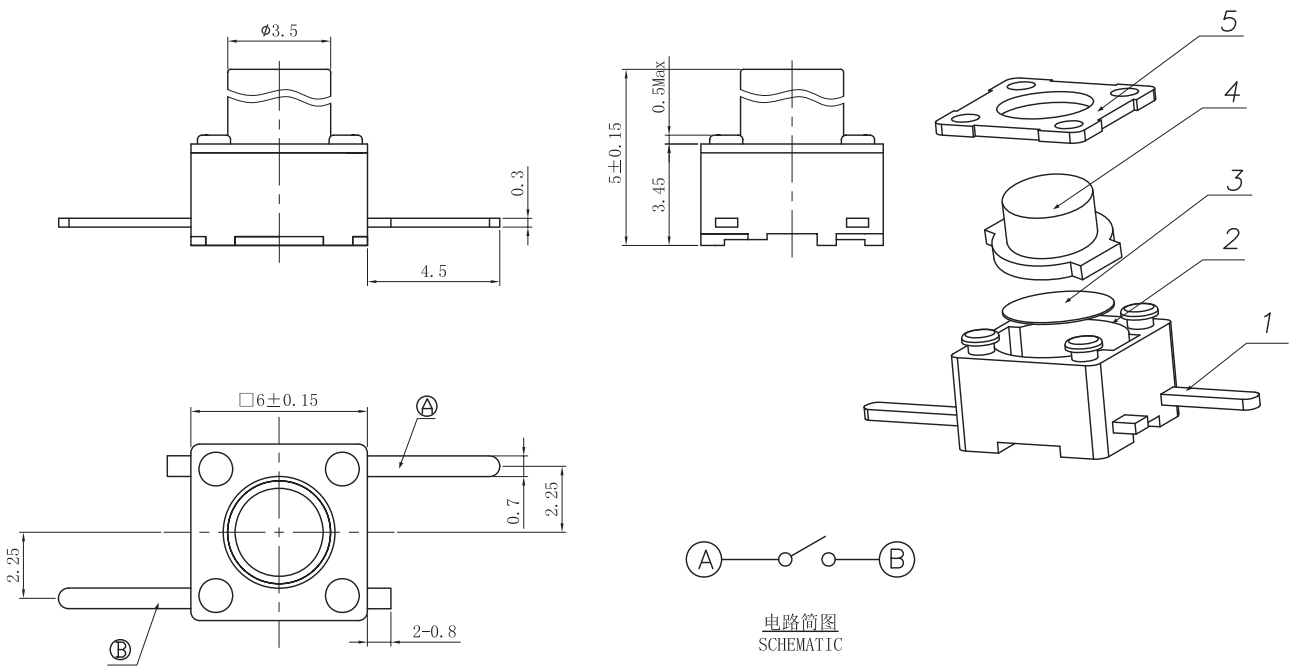


## Tactile Switches

KLS 7-TS6661 6x6 Tact Switch Series

### Parameter:

1. Rating:DC12V 50mA.
2. Travel:0.3±0.1mm.
3. Operating Force:250±50gf.
4. Contact Resistance:100mΩ Max.
5. Life:100,000 Cycles Min.



## ORDER INFORMATION

Product NO.:L-KLS7-TS6661-5-180-B

