

# 10/100 Base-Tx Transformer Modules

## Electrical Specification:

@25°C Operating Temperature: 0 to +70°C

Part NO : 1240M-S007LF  
 Trun Ratio (±3%) : TX 1CT:1CT  
 RX 1CT:1CT

Primary inductance (LP): 350uH,min.

@100KHz,0.1Vrms,8mA

Leakage primary@ 10KHz,0.1Vrms : 0.5uH max

Insertion loss: 1-100MHz -1.0dB max

Return loss: 1-30MHz -16dB min

40MHz -14.4dB min

50MHz -13.1dB min

60-80MHz -12dB min

100MHz -10dB min

Differential to 30MHz -45dB min .

COMMON Mode 60MHz -40dB min .

Rejection : 100MHz -35dB min .

Crosstalk: 30MHz -43.5dB min .

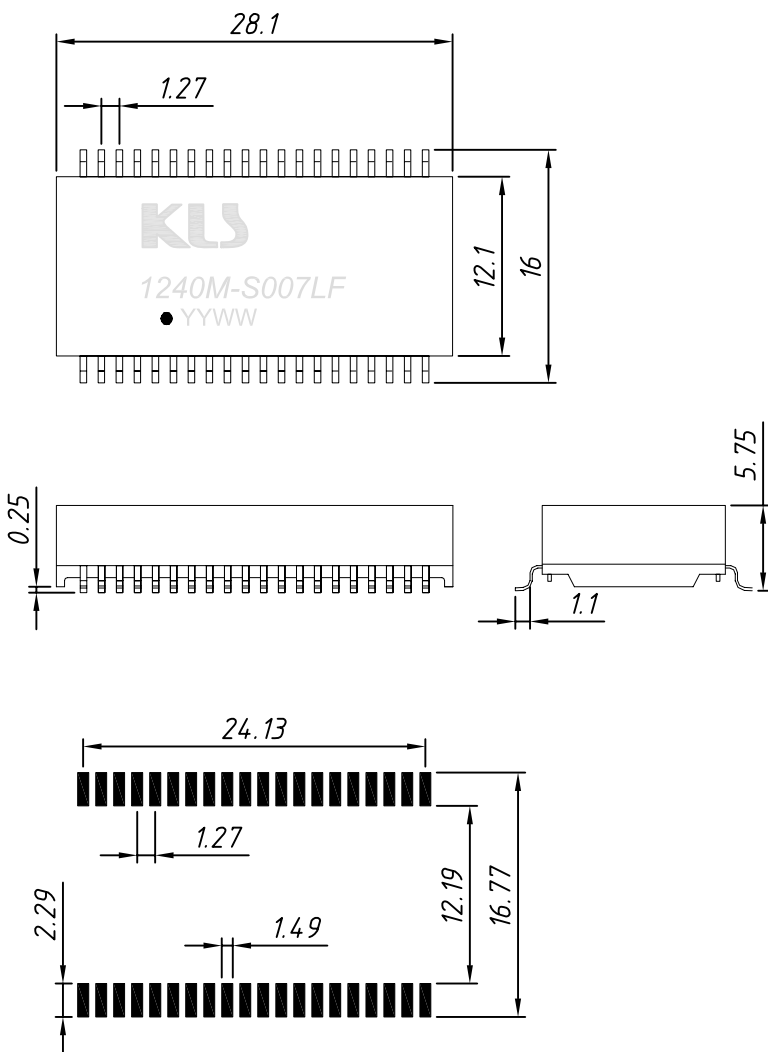
60MHz -37.5dB min .

100MHz -33dB min .

Hi-Pot 1500 Vrms Min.



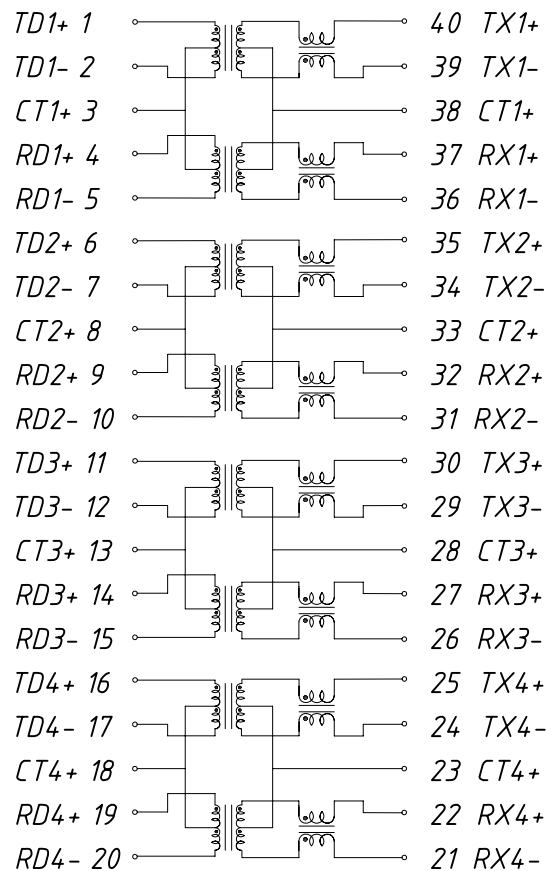
## Dimension: unit:mm



## Features:

1. Designed to meet IEEE 802.3 requirements.
2. Peak solder temperature rating per Table 5-2 in IPC/JEDEC J-STD-020C
3. RoHS Compliant

## Schematic



1240M-S007LF-T  
 1240M-S007LF-R

Packing: Tube  
 Packing: Tape&Reel