

10/100 Base-Tx Transformer Modules

Electrical Specification:

@25°C Operating Temperature 0 to +70°C

Part NO : 1216M-S005LF
 Trun Ratio (±3%) : TX 1CT:1CT
 RX 1CT:1CT

OCL primary@ 100KHz,0.1Vrms,8mA : 350uH Min

Leakage primary@ 10KHz,0.1Vrms : 0.5uH max

Cww (Pri.:Sec.) : 28pF Max

Insertion loss: 1-100MHz -1.15dB max

Return loss: 30MHz -18dB min

60MHz -14dB min

80MHz -12dB min

DCMR : 30MHz -35dB min .

60MHz -40dB min .

100MHz -35dB min .

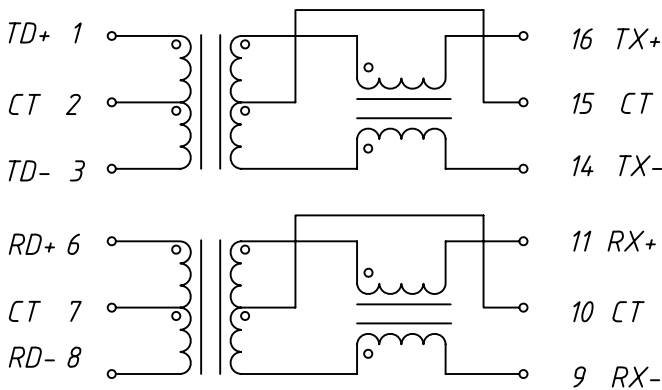
Crosstalk: 1-60MHz -45dB min .

60-100MHz -35dB min .

Isolation Voltage 1500 Vrms Min.



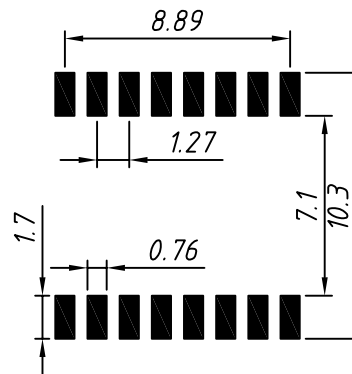
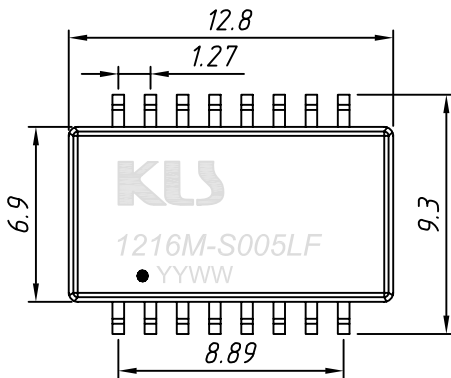
Schematic



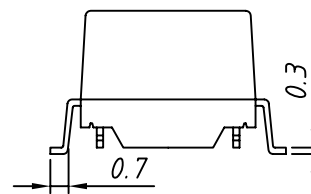
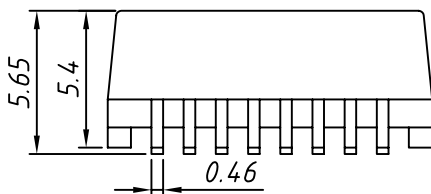
Features:

1. IEEE 802.3af/ANSI X3.263 compliant performance.
2. Operating Humidity:90%RH
3. Storage temperature range:-40~+80°C,90%RH
4. RoHS Compliant

Dimension: unit:mm



PCB LAYOUT

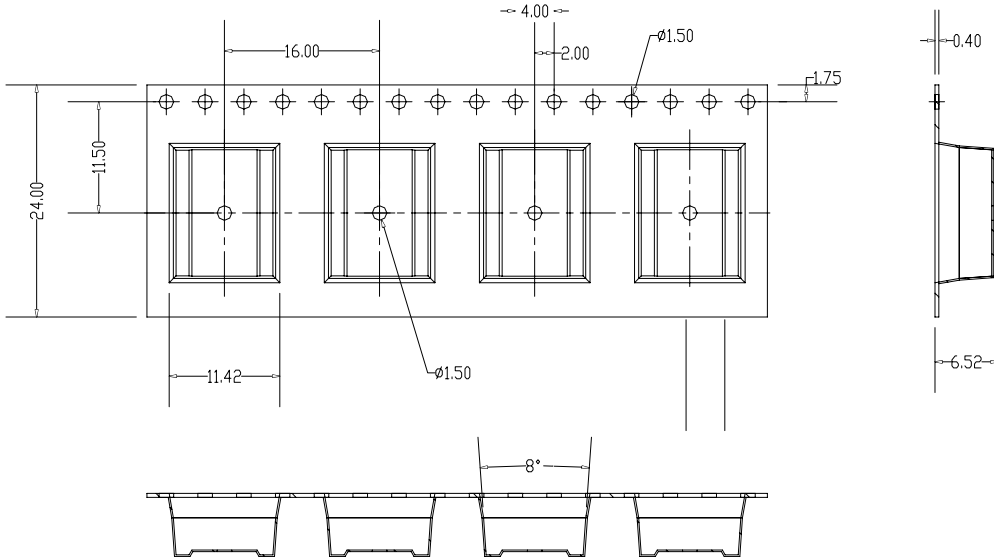


1216M-S005LF-T
 1216M-S005LF-R

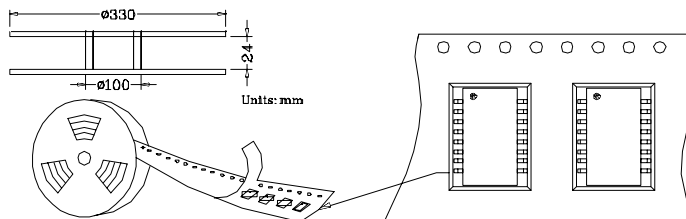
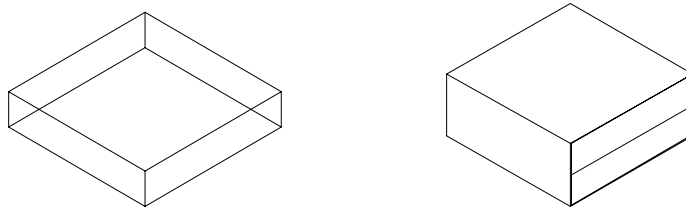
Packing: Tube
 Packing: Tape&Reel

10/100 Base-Tx Transformer Modules

- 1. ONE ROLL: 600PCS
- 2. THREE ROLL BOX: 1800PCS
- 3. TWO BOX CARTON: 3600PCS



REEL MECHANICAL DIMENSION



1216M-S005LF-T
1216M-S005LF-R

Packing: Tube
Packing: Tape&Reel