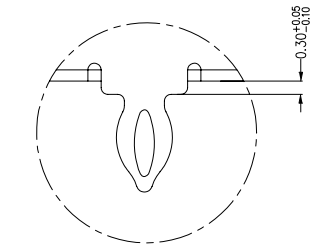
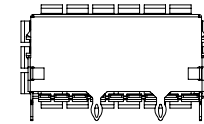
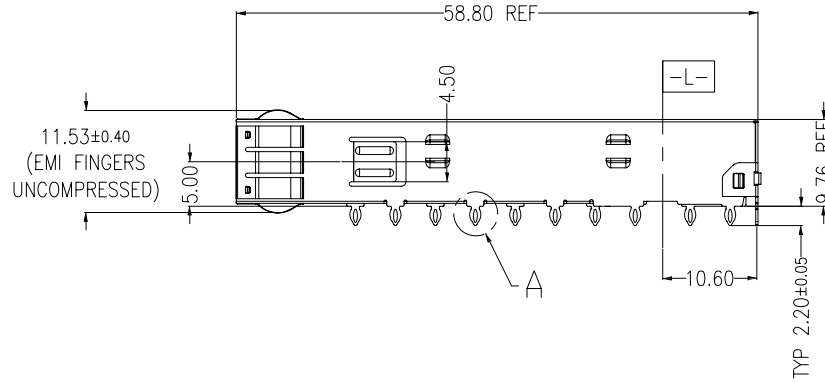
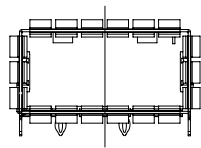
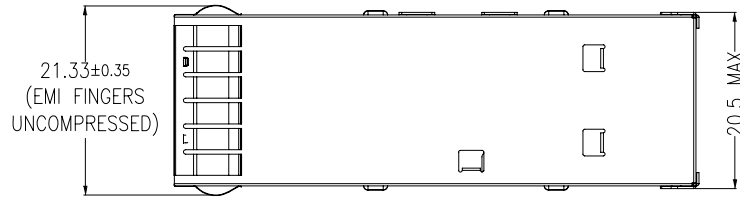
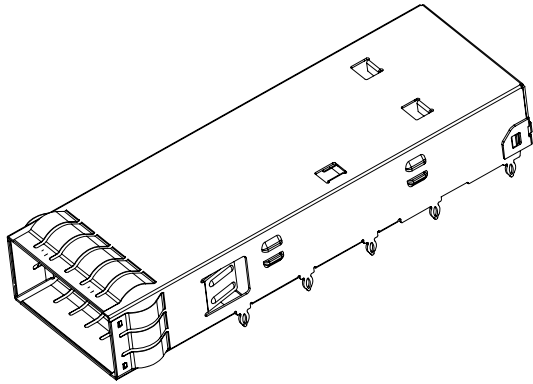
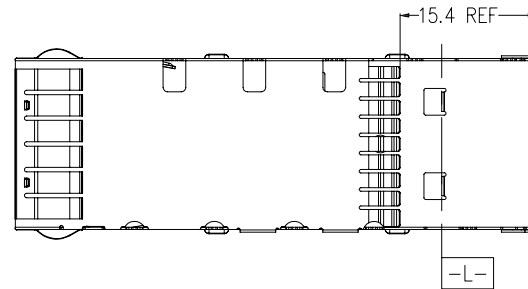


RoHS Compliant



DETAIL: A
SCALE: 5:1



NOTE:
 1, DESCRIPTION Q'ty MATERIAL PLATING
 01 SFP CAGE 1PCS COPPER ALLOY N/A
 02 EMI FINGERS 4PCS BERYLLIUM BRONZE NI FOR ALL
 2, TEMPERATURE:
 OPERATION: -40°C~+85°C
 STORAGE: -55°C~+105°C

GENERAL TOLERANCE	ANGLE TOLERANCE	PROJECTION	Description:
X. ±0.60	X. ±5°	UNITS	mm
.X ±0.38	.X ±3°	SHEET SIZE	A4
.XX ±0.25	.XX ±2°		P/N: KLS12-QSFP+02

Draw by: Date 2016-07-01

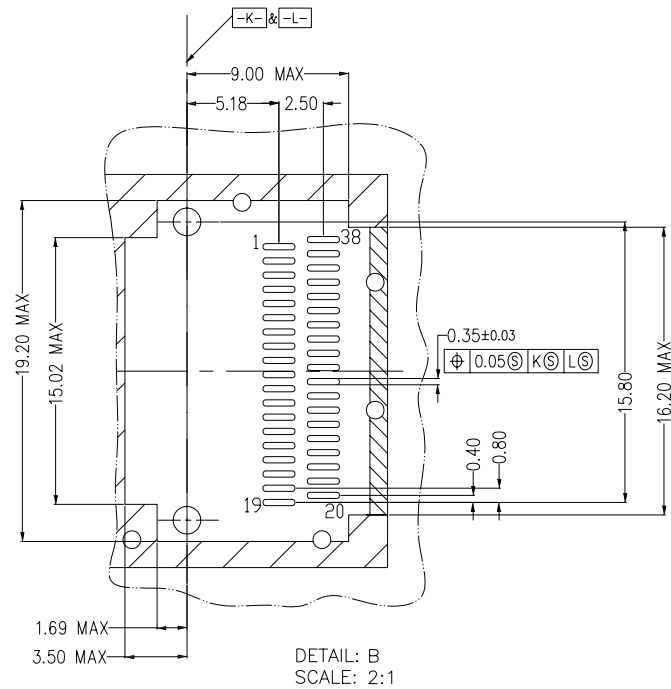
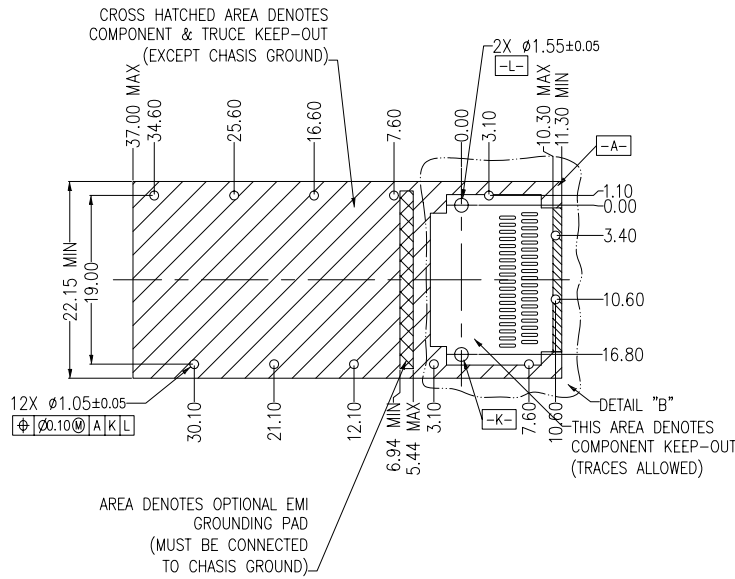
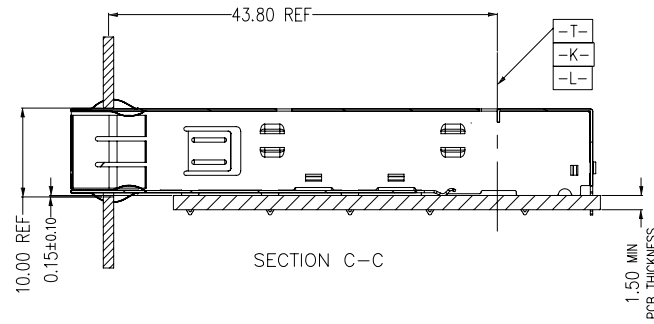
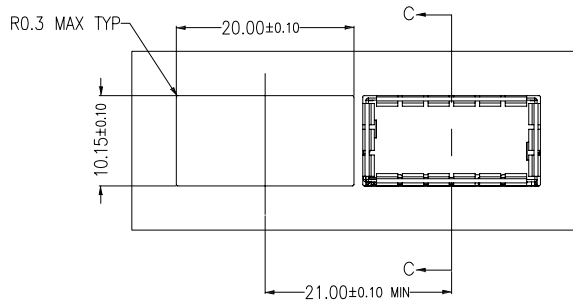
Check by: Date 2016-07-01

SCALE SHEET OF

KLS ELECTRONIC CO., LTD.

RoHS Compliant

PCB LAYOUT FOR SINGLE SIDED APPLICATION



NOTES:

- SEE QSFP MSA SPECIFICATION FOR BEZEL LOCATION TOLERANCE
- DATUM -A- IS TIP SURFACE OF HOST BOARD PER MSA
- FINISHED HOLE SIZE (AFTER PLATING)
- DATUM -K- IS HOST BOARD THREE HOLE #1 TO ACCEPT CONNECTOR GUIDE POST PER MSA
- DATUM -L- IS HOST BOARD THREE HOLE #2 TO ACCEPT CONNECTOR GUIDE POST PER MSA
- DATUM -T- IS HARD STOP ON CAGE PER MSA

GENERAL TOLERANCE	ANGLE TOLERANCE	PROJECTION	Description:
X. ±0.60	X. ±5°	UNITS	mm
.X ±0.38	.X ±3°	SHEET SIZE	A4
.XX ±0.25	.XX ±2°		P/N: KLS12-QSFP+02
Draw by: Date	2016-07-01	KLS ELECTRONIC CO., LTD.	
Check by: Date	2016-07-01		
SCALE	SHEET OF		