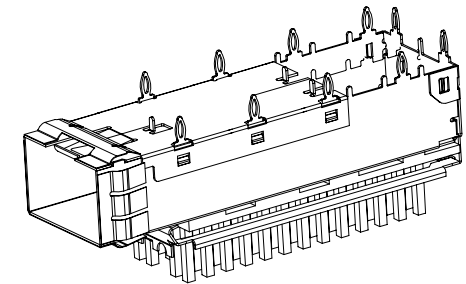
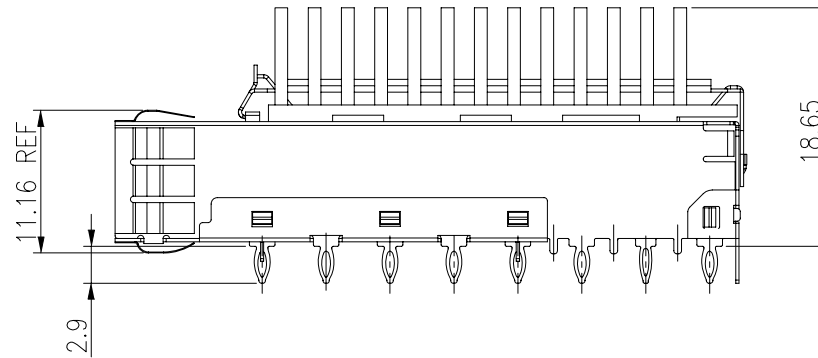
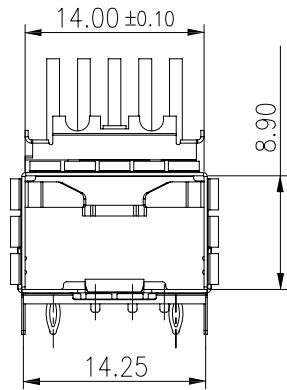
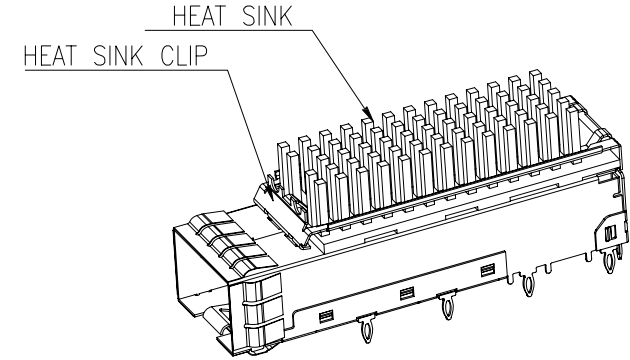
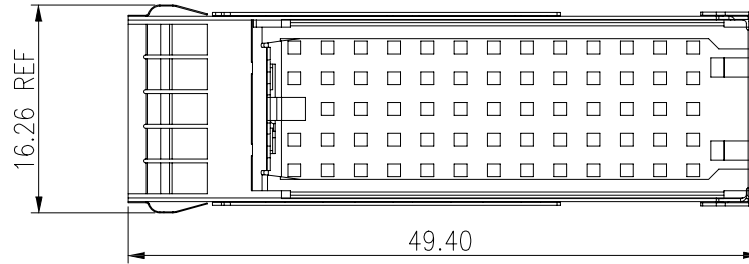


RoHS Compliant



NOTE:

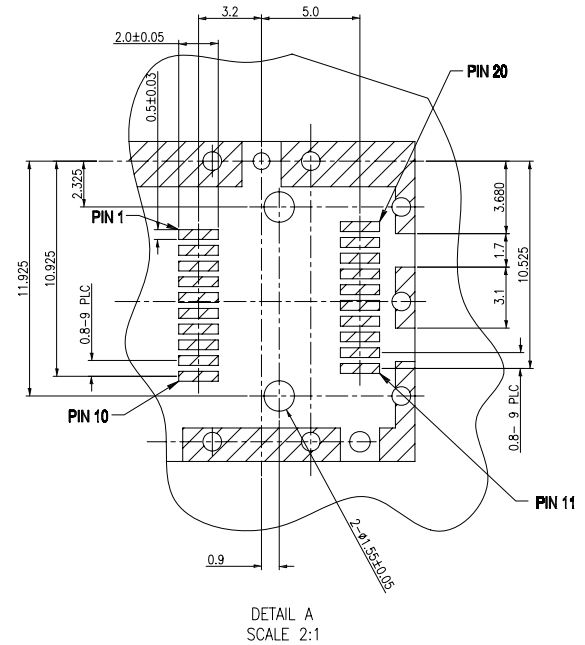
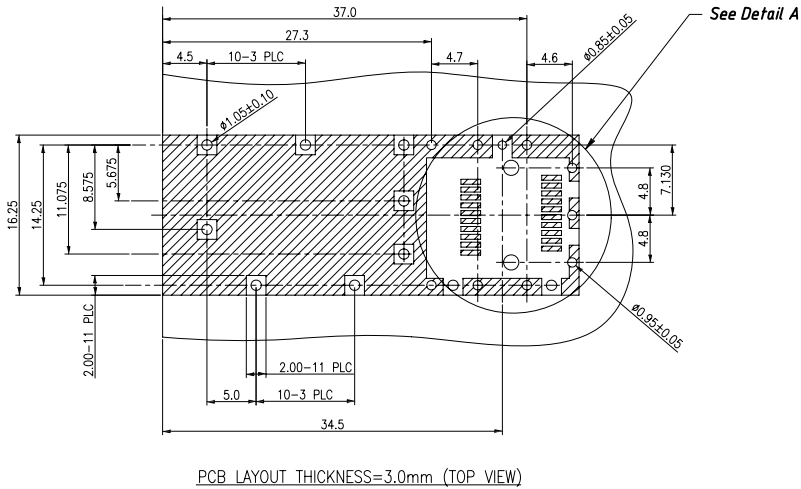
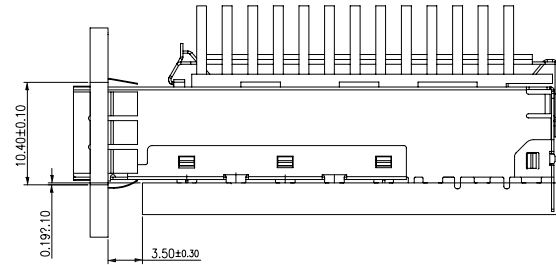
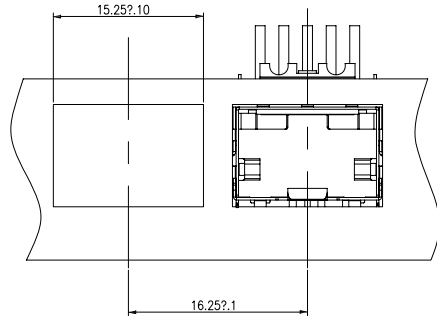
- 1, DESCRIPTION
 - 01 SFP CAGE : T=0.25
 - 02 SFP EMI CLIP: T=0.25 Ni FOR ALL PLATING
 - 03 SFP HEAT SINK: AL Ni FOR ALL PLATING
 - 04 SFP HEAT SINK CLIP: SUS 301½H T=0.25mm
- 2, TEMPERATURE:
 - OPERATION: -40°C~+85°C
 - STORAGE: -55°C~+105°C

GENERAL TOLERANCE		ANGLE TOLERANCE		PROJECTION	Description: SFP+ 1x1 Cage
X. ±0.60	X. ±5°			UNITS mm	
.X ±0.38	.X ±3°			SHEET SIZE A4	Press-fit With Heatsink
.XX ±0.25	.XX ±2°				P/N: KLS12-SFP+03

Draw by: Date	2016-07-01
Check by:: Date	2016-07-01
SCALE	SHEET OF

KLS ELECTRONIC CO., LTD.

RoHS Compliant



GENERAL TOLERANCE	ANGLE TOLERANCE	PROJECTION	Description: SFP+ 1x1 Cage Press-fit With Heatsink P/N: KLS12-SFP+03
.X ±0.60	.X ±5°	UNITS mm	
.X ±0.38	.X ±3°	SHEET SIZE A4	
.XX ±0.25	.XX ±2°		

Draw by: Date	2016-07-01
Check by: Date	2016-07-01
SCALE	SHEET OF

KLS ELECTRONIC CO., LTD.