

Mini Din Connectors* Din Connectors

KLS1-DS-5-03-05 DS Terminal Series

Material:

Base:PBT UL 94V-0

Contact:H62 Brass

Environmental:

Operating Temperature:-25 C ~ + 70 C

Electrical:

Rated Load:2A 100V AC

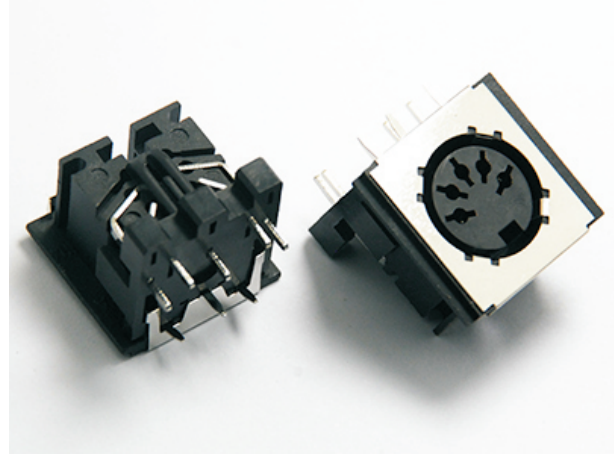
Dielectric Withstanding:500V AC(50Hz)/1min

Insulation Resistance:≥100MΩ

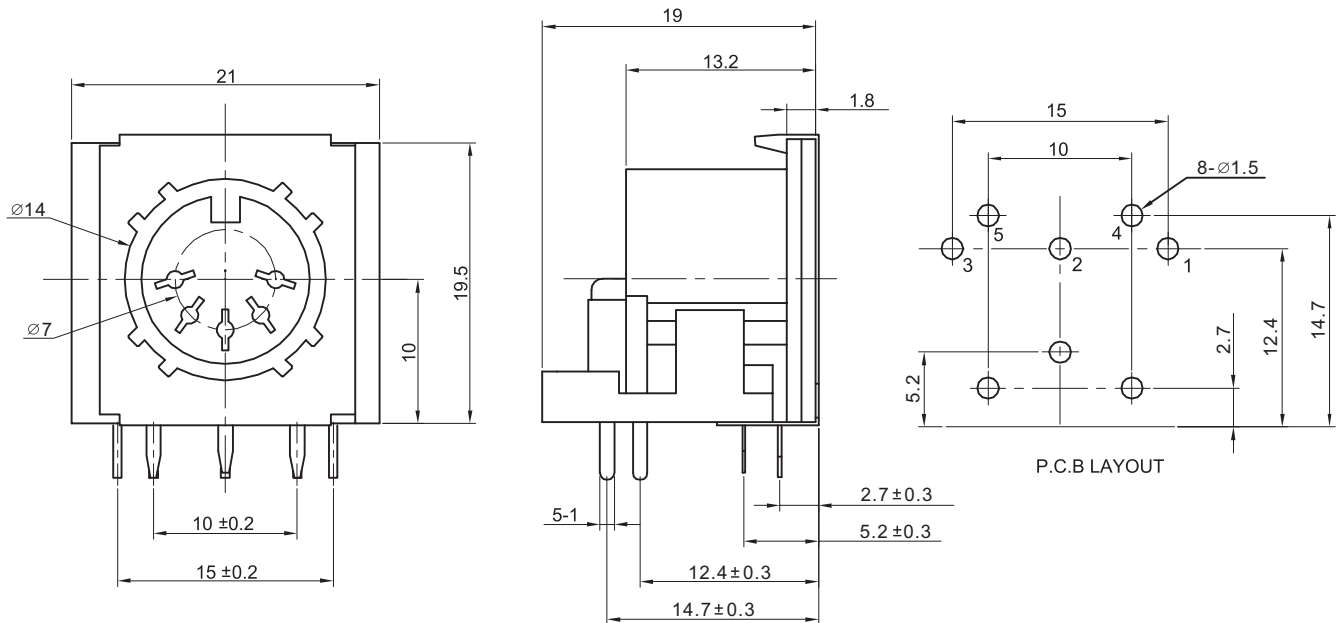
Contact Resistance:≤30mΩ

Insertion and Extraction Force:10-50N

Life:≥5000



I



ORDER INFORMATION

Product NO.: KLS1-DS-5-03-05

