

Switch

DIP Switch Series

KLS7-DM Tri-state DIP Switch Through Hole type 2.54mm pitch

Specifications

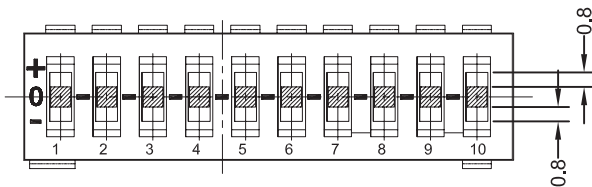
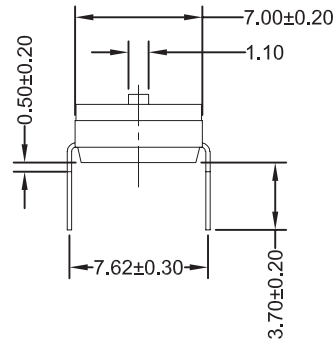
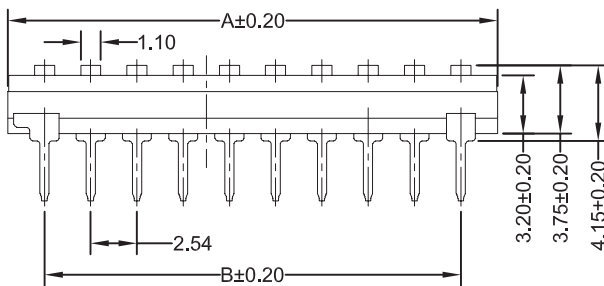
- Contact Rating: 25 mA at 24VDC (switching)
100 mA at 50VDC (steady state)
- Life: 2,000 cycles
- Contact Resistance: 100mΩ Max.
- Insulation Resistance: 100MΩ at 100VDC Min
- Dielectric Strength: 300VAC Min

Materials

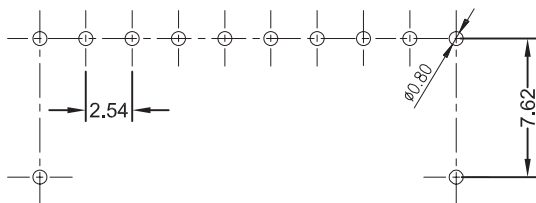
- Base & Cover: PPS (UL94V-0)
- Actuator: PA46 (UL94V-0).
- Contacts: Brass, Gold /Tin Plate
- Terminals: Brass, Gold /Tin Plate



VII

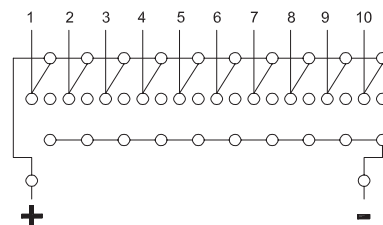


| POS. | DIMENSIONS | |
|------|------------|-------|
| | A | B |
| 4P | 11.64 | 7.62 |
| 5P | 14.18 | 10.16 |
| 8P | 21.80 | 17.78 |
| 9P | 24.34 | 20.32 |
| 10P | 26.88 | 22.86 |



RECOMMENDED P.C.B. LAYOUT (TOP VIEW)

[SCHEMATIC]



ORDER INFORMATION

KLS7-DM - XX - N - 0 0

- Part Number
- DM : Tri-state Dip Switch Through Type
- Number of Pos.: 04~10 Pos.
- Packaging: 0=Tube
0: Non-sealed
- Color: N=Black