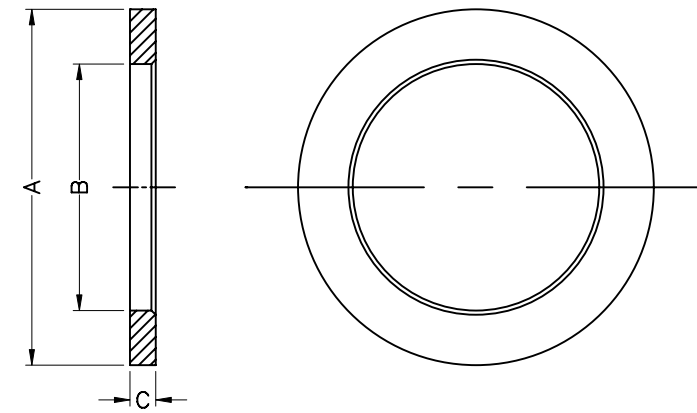
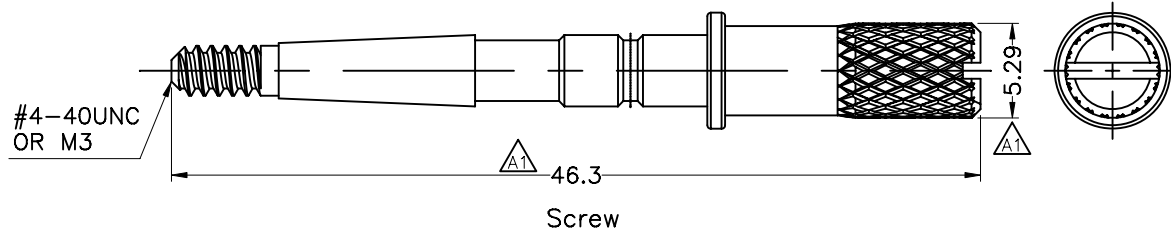


RoHS PASS

REV	ECN NO	LOCATIONS	DESCRIPTION	DATE	DESIGN
A0			NEW RELEASED	05/26'11	yangliu
A1	SZ1109002		ALTER SCREW SIZE	09/05'11	yangliu
A2	SZ1203016		PLUS SCREW OPTION AND ALTER SIZE	03/14'12	yangliu



Washer 1			
ITEM	A	B	C
9PIN	∅16.6	∅11.5	1.20
15PIN	∅16.6	∅12.5	1.20
25PIN	∅17.6	∅13.5	1.20
37PIN	∅18.6	∅14.5	1.20
50PIN	∅21.6	∅17.3	1.20

CAADKXXOX

Screw Option: $\Delta 2$
 1-#4-40UNC
 2-M3

Pin No.:
 09-09PIN
 15-15PIN
 25-25PIN
 37-37PIN
 50-50PIN

Body:Glass filled thermoplastic.
 Flame retardant to UL 94V-0,Color black.
 Screws:Brass 100u" min sn over 50u" min nickel.
 Climatic:Temperature range -55°C~85°C.
 Waterproof rate:IP67

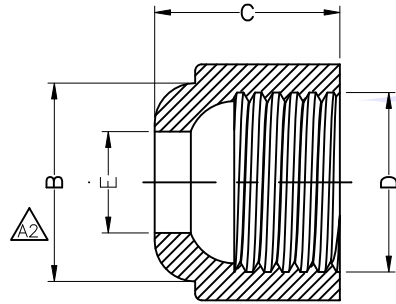
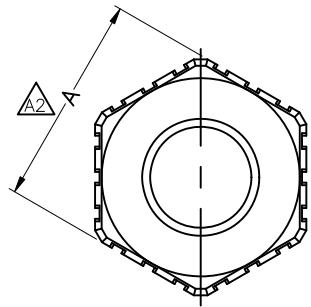
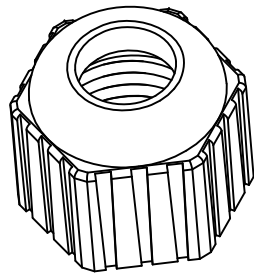
DIM	TOL	DEC	TOL
X.	±1.0	X.*	±1"
X.X	±0.50	X.X*	±0.5"
X.XX	±0.38	X.XX*	
X.XXX	±0.20	X.XXX*	

KLS ELECTRONIC CO.,LTD.

DRAW NO:	DATE	MATERIAL:	DRAW NAME:
DESIGN: 杨柳	03/14'12	FINISH: /	D-SUB防水护套
CHECK: 范远平	03/14'12	FILE: /	MODEL:
REVIEW: 蒋乐	03/14'12	P/N NO: CAADKXXOX	
APPROVED: 蒋乐	03/14'12	REV: A2 SCALE: N/A	UNIT: mm
			SHEET 1/4

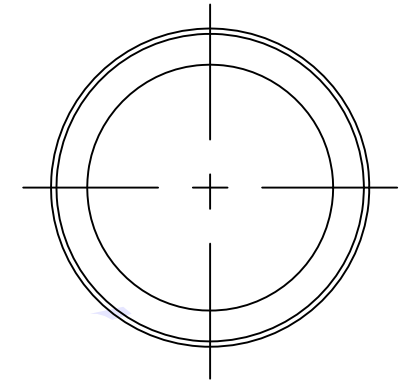
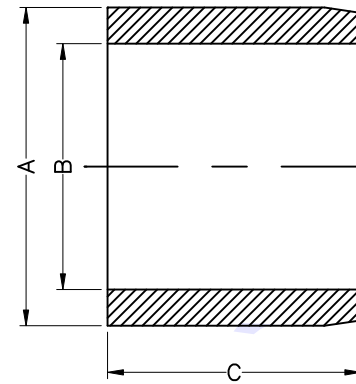
RoHS PASS

REV	ECN NO	LOCATIONS	DESCRIPTION	DATE	DESIGN
A1	SZ1109002		ALTER SCREW SIZE	09/05'11	yangliu
A2	SZ1203016		PLUS SCREW OPTION AND ALTER SIZE	03/14'12	yangliu
A3	SZ1207001		PLUS SAFETY FACTOR	07/03'12	yangliu



Plastic nuts

Plastic nuts					
ITEM	A	B	C	D	E
9PIN	14.60	13.50	12.80	M12x1.25	6.85
15PIN	15.20	13.80	12.80	M13x1.25	7.50
25PIN	16.30	14.30	12.80	M14x1.25	8.90
37PIN	17.30	15.30	12.80	M15x1.25	9.85
50PIN	21.80	20.60	12.80	M18x1.25	11.65



Soft rubber

Soft rubber			
ITEM	A	B	C
9PIN	8.80	6.80	7.00
15PIN	9.80	7.80	7.00
25PIN	10.80	8.80	7.00
37PIN	11.80	9.80	7.00
50PIN	13.80	11.80	7.00



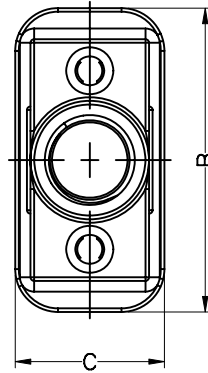
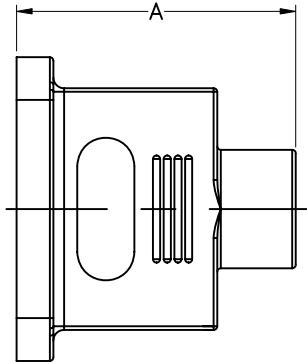
KLS ELECTRONIC CO.,LTD.

DRAW NO:	DATE	MATERIAL:	DRAW NAME:
DESIGN: 杨柳	07/03'12	FINISH: /	D-SUB防水护套
CHECK: 范远平	07/03'12	FILE: /	MODEL:
REVIEW: 蒋乐	07/03'12	P/N NO: CAADKXX0X	UNIT: mm
APPROVED: 蒋乐	07/03'12	REV: A3	SHEET 2/4
		SCALE: N/A	

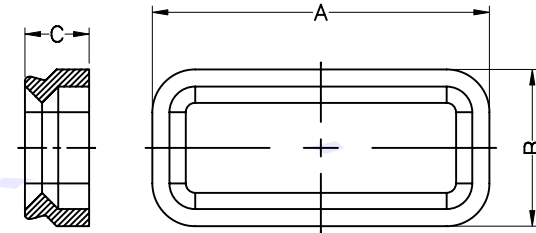
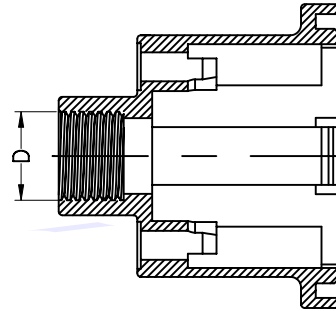
DIM	TOL	DEC	TOL
X.	±1.0	X.'	±1"
X.X	±0.50	X.X"	±0.5"
X.XX	±0.38	X.XX"	
X.XXX	±0.20	X.XXX"	

RoHS PASS

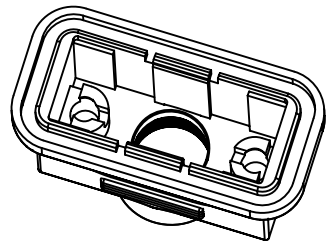
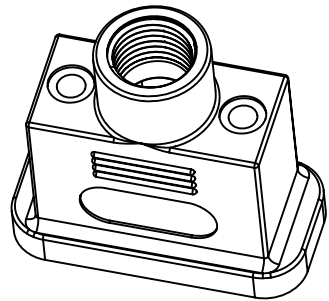
REV	ECN NO	LOCATIONS	DESCRIPTION	DATE	DESIGN
A0			NEW RELEASED	05/26'11	yangliu
A1	SZ1109002		ALTER SCREW SIZE	09/05'11	yangliu
A2	SZ1203016		PLUS SCREW OPTION AND ALTER SIZE	03/14'12	yangliu



Cover



Soft rubber



Cover				
ITEM	A	B	C	D
9PIN	39.10	42.55	20.90	M12x1.25
15PIN	39.10	50.87	20.90	M13x1.25
25PIN	39.10	64.59	20.90	M14x1.25
37PIN	39.10	81.05	20.90	M15x1.25
50PIN	39.10	78.85	23.90	M18x1.25

Soft rubber			
ITEM	A	B	C
9PIN	39.35	18.30	7.50
15PIN	47.67	18.30	7.50
25PIN	61.39	18.30	7.50
37PIN	77.85	18.30	7.50
50PIN	75.65	21.30	7.50

DIM	TOL	DEC	TOL
X.	±1.0	X.*	±1*
X.X	±0.50	X.X*	±0.5*
X.XX	±0.38	X.XX*	
X.XXX	±0.20	X.XXX*	

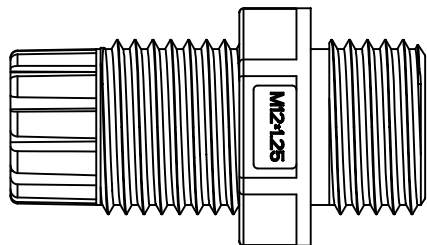
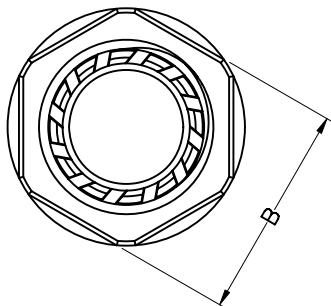


KLS ELECTRONIC CO.,LTD.

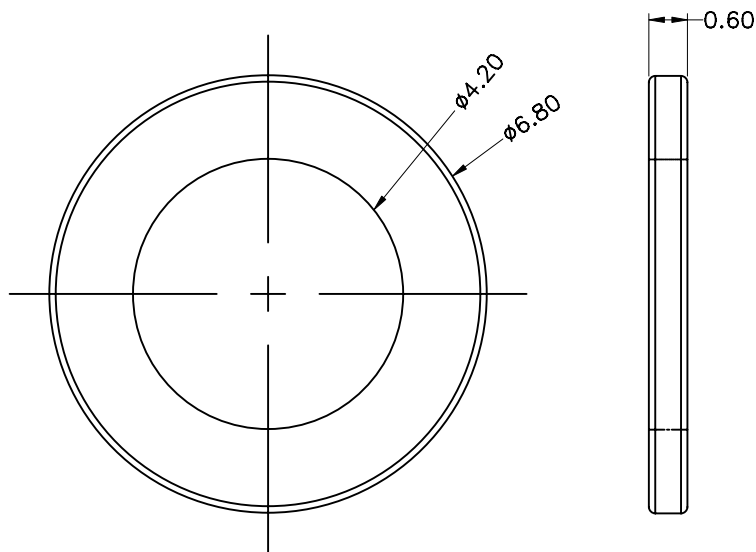
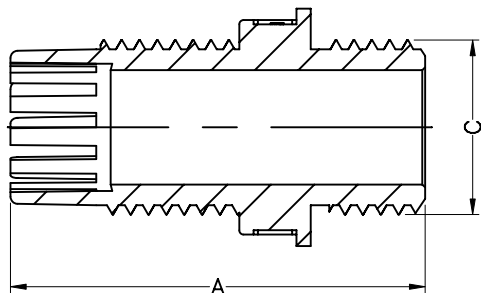
DRAW NO:	DATE	MATERIAL:	DRAW NAME:	
DESIGN: 杨柳	03/14'12	FINISH: /	D-SUB防水护套	
CHECK: 范远平	03/14'12	FILE: /	MODEL:	
REVIEW: 蒋乐	03/14'12	P/N NO: CAADKXXOX	UNIT: mm	SHEET 3/4
APPROVED: 蒋乐	03/14'12	REV: A2	SCALE: N/A	

RoHS PASS

REV	ECN NO	LOCATIONS	DESCRIPTION	DATE	DESIGN
A0			NEW RELEASED	05/26'11	yangliu
A1	SZ1109002		ALTER SCREW SIZE	09/05'11	yangliu
A2	SZ1203016		PLUS SCREW OPTION AND ALTER SIZE	03/14'12	yangliu



Harness screw



Washer 2

Harness screw			
ITEM	A	B	C
9PIN	29.00	15.00	M12x1.25
15PIN	29.00	15.00	M13x1.25
25PIN	29.00	15.90	M14x1.25
37PIN	29.00	18.60	M15x1.25
50PIN	29.00	19.50	M18x1.25

DIM	TOL	DEC	TOL
X.	±1.0	X.'	±1°
X.X	±0.50	X.X'	±0.5°
X.XX	±0.38	X.XX'	
X.XXX	±0.20	X.XXX'	



KLS ELECTRONIC CO.,LTD.

DRAW NO:		DATE	MATERIAL:	DRAW NAME:	
DESIGN:	杨柳	03/14'12	FINISH: /	D-SUB防水护套	
CHECK:	范远平	03/14'12	FILE: /	MODEL:	
REVIEW:	蒋乐	03/14'12	P/N NO: CAADKXXOX	UNIT:	SHEET
APPROVED:	蒋乐	03/14'12	REV: A2	mm	4/4
			SCALE: N/A		