

Push Button Switch Series

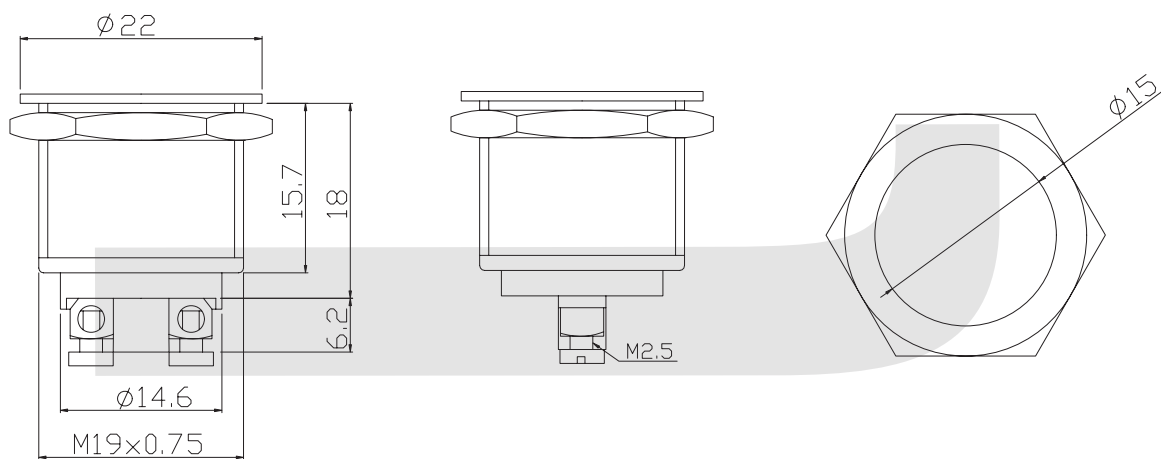
KLS7-PBS-014 Push Button Switch Series

ELECTRICAL

Rating: 4A 125V AC ,2A 250V AC
Contact resistance: 20mΩ Max
Insulation resistance: 100MΩ/500VDC Min
Withstanding Voltage: AC1000V/1Min
Operating Temperature: -25°C~+85°C
Electrical life: 50000 Cycles

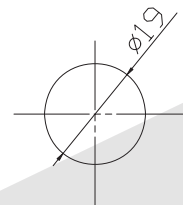
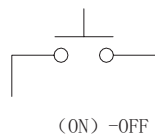


VII



Mounting

Circuitry



ORDER INFORMATION

KLS7-PBS-014 X

Part Number

PBS-014: Push Button Switch Series

Function: B=ON-OFF
D=OFF-(ON)