

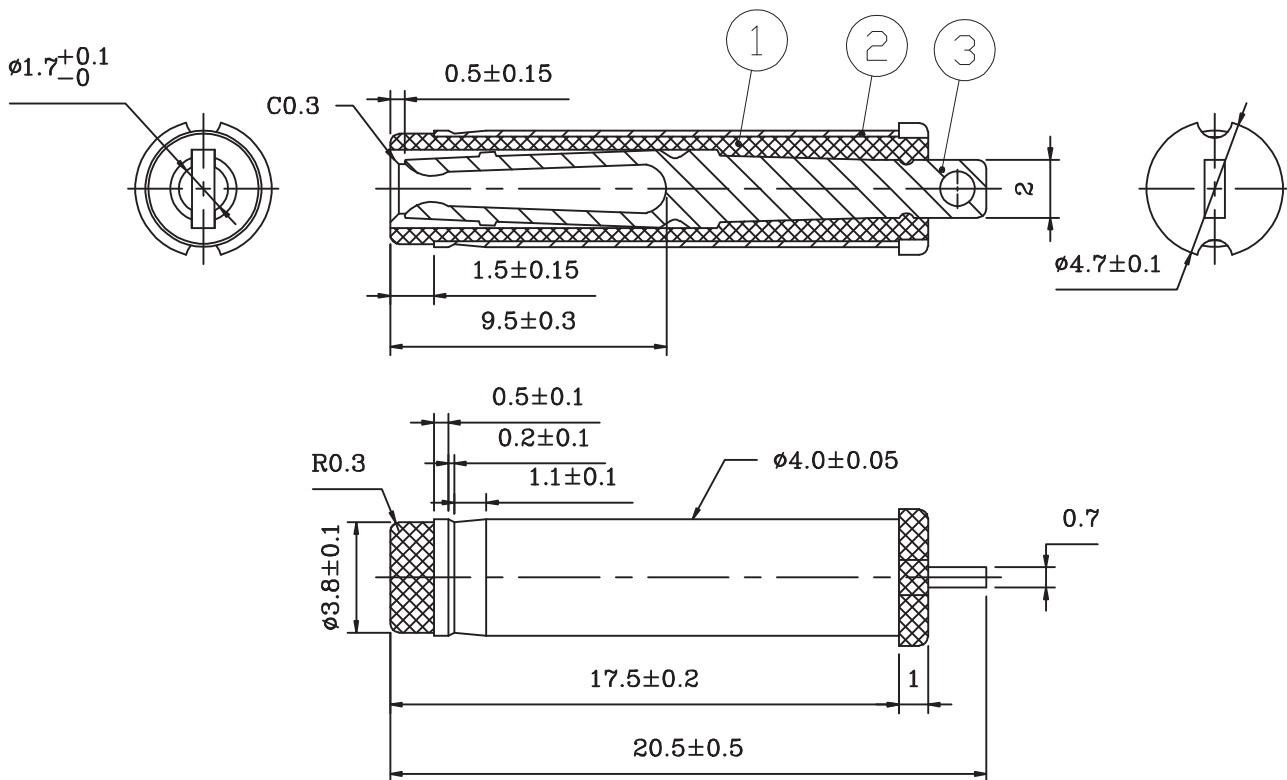


DC Power Connectors

L-KLS1-DC-4017 $\Phi 4.0 * \Phi 1.7 * 20.5$ Plug

Note:

- 1.PBT/POM
- 2.Brass,Nickel,1um over
- 3.P-Bronze,Nickel,2um~3um



ORDER INFORMATION

Product NO.: L-KLS1-DC-4017

DC Plug

$\phi 4.0 * \phi 1.7 * 20.5$