

## Metallic Cable Glands

### KLS8-0626G EMC G Type Metallic Cable Glands

Material: Brass with nickel plated

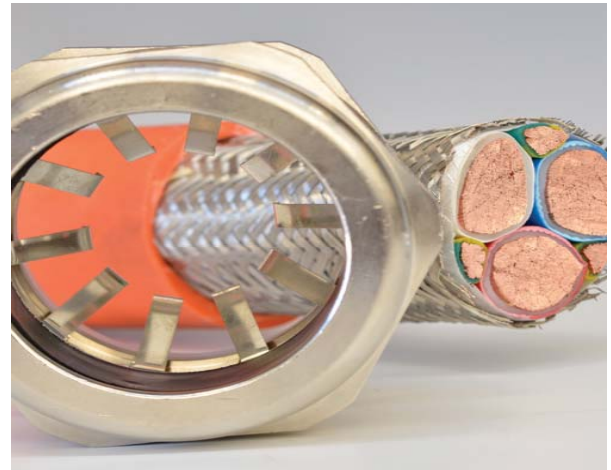
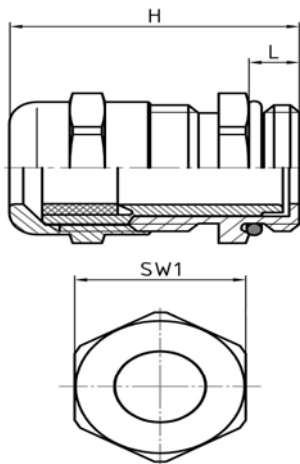
Claw: Nylon plastic(PA), UL94-V2

Sealing: NBR

O-Sealing ring: NBR

Protection Class: IP68 (the wire/cable is in clamping range,  
and assemble O-Ring on the groove)

Range of temperature: -40°C ~ 100°C



Item No.	Cable Range > Ø < (mm)	Outer diameter of thread (mm)	Mounting hole diameter (mm)	Thread length L(mm)	Joint length H(mm)	Wrench diameter (MM)
G1/4"	3-6.5	13.1	13.1~13.4	7	18	14
G3/8"	4-8	16.6	16.6~16.9	8	20	18
G1/2"	6-12	22	20.9~21.2	8	22	22
G3/4"	13-18	26.4	26.4~26.7	8	25	30
G1"	18-25	33.2	33.2~33.5	10	30	40
G1_1/4"	22-32	41.9	41.9~42.2	10	35	50
G1_1/2"	32-38	48.8	47.8~48.1	10	38	57
G2"	37-44	59.6	59.6~59.9	12	40	64

## Oder Information

### KLS8-0626G-G1/4

0626G: EMC G Type Metallic Cable Glands

G1/4: Item No.