

## Metallic Cable Glands

### KLS8-0625 SP Type Metallic Cable Glands

Material: Brass with nickel plated

Claw: Nylon plastic(PA), UL94-V2

Sealing: NBR

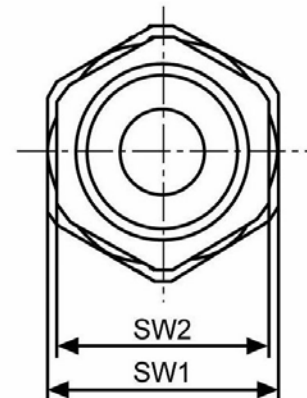
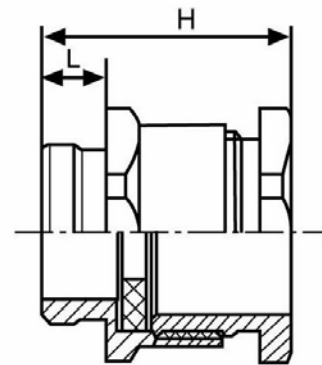
O-Sealing ring: NBR

Protection Class: IP54~65 (the wire/cable is in clamping range,  
and assemble O-Ring on the groove)

Range of temperature: -40°C~100°C



Item No.	Cable Range >IØI< (mm)	Outer diameter of thread (mm)	Mounting hole diameter (mm)	Thread length L(mm)	Joint length H(mm)	Wrench diameter (MM)
PG7	6-8	12.5	12.5-12.8	6	15	13/14
PG9	8-10	15.2	15.2-15.5	6	15	15/17
PG11	10-12	18.6	18.6-18.9	6	17	18/20
PG13.5	12-14	20.4	20.4-20.7	6.5	20	20/22
PG16	14-16	22.5	22.5-22.8	6.5	22	22/24
PG21	17-19	28.3	28.3-28.6	7	24	28/30
PG29	26-28	37	37-37.3	8	26	37/40
PG36	33-35	47	47-47.3	9	30	47/50
PG42	39-41	54	54-54.3	10	34	54/57
PG48	45-47	59.3	59.3-59.6	10	37	60/64
M12x1.5	6-8	12	12-12.3	6	15	13/14
M16x1.5	8-10	16	16-16.3	6	15	15/18
M18x1.5	10-12	18	18-18.3	6	17	18/20
M20x1.5	10-12	20	20-20.3	6.5	17	18/22
M25x1.5	17-19	25	25-25.3	7	24	28/30
M32x1.5	26-28	32	32-32.3	8	26	37/40
M40x1.5	33-35	40	40-40.3	9	30	47/50
M50x1.5	39-41	50	50-50.3	10	34	54/57
M63x1.5	43-45	63	63-63.3	10	37	60/68



## Order Information

### KLS8-0625-PG-7

0625: PG Type Metallic Cable Glands

PG-7: Item No.