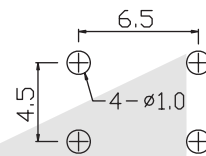
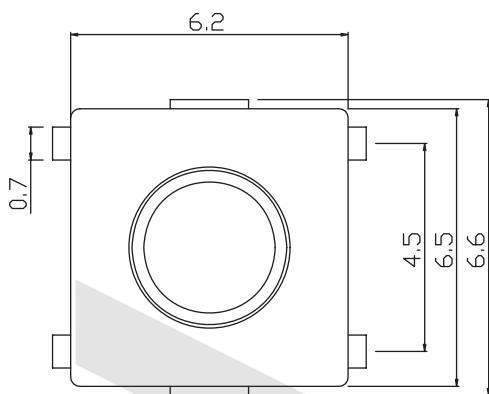
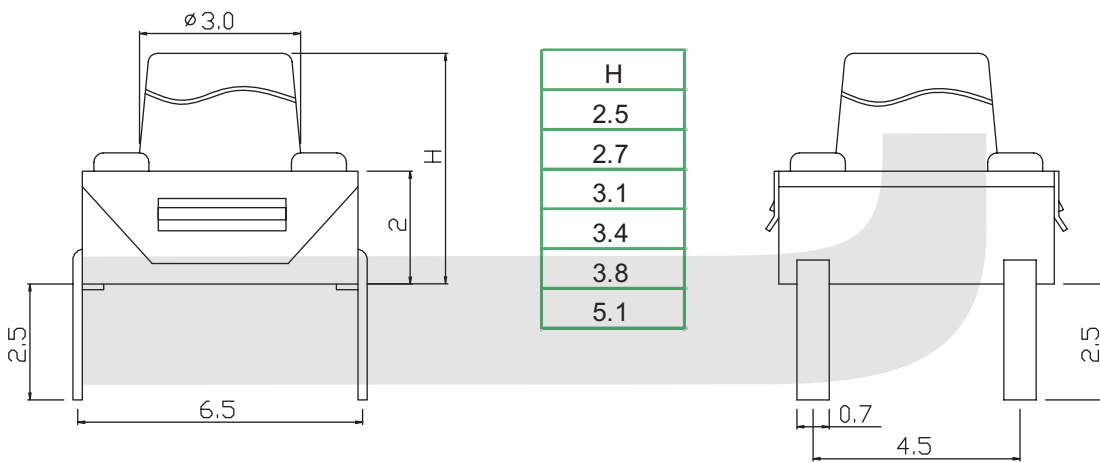


Tact Switch Series

KLS7-TS6609 6x6mm Tact Switch Series

ELECTRICAL

1. Rating: 50mA 12VDC
2. Contact Resistance : 50mΩ max(initial)
3. Insulation Resistance: 100MΩ(minDC 250V)
4. Dielectric Strength : AC250V(50/60Hz for 1minute)
5. Electrically Life: 100000cycles
6. Environment temperature: -20°C~+70°C
7. Operating Force: 180/250(±30gf)
8. Seal temperature: 260°C~ 280°C



PCB LAYOUT

ORDER INFORMATION

KLS7-TS6609 - 2.5 - 180 - R

Series No. _____ Cap color: W=White; R=Red
 Hight: 2.5mm/2.7mm/3.1mm/3.4mm/3.8mm/5.1mm Operating Force : 180~250gf