

INDUCTORS

Adjustable Inductors MD0709 Series

FEATURES:

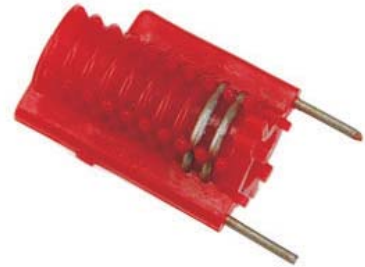
1. PP plastic with air coil to be molded.
2. Stable capability, winding type can be close winding.
3. Adjustable inductance value.
4. Firm structure.
5. Frequency range: 30MHz ~ 200MHz.
6. Temperature coefficient: 150 ~ 100ppm/°C.
7. Lead free, RoHS & REACH compliant.

Applications:

*Widely use in RF radio, wireless transceiver, FM radio, TV receiver, Car, Wireless telecommunication and RF electronic application.

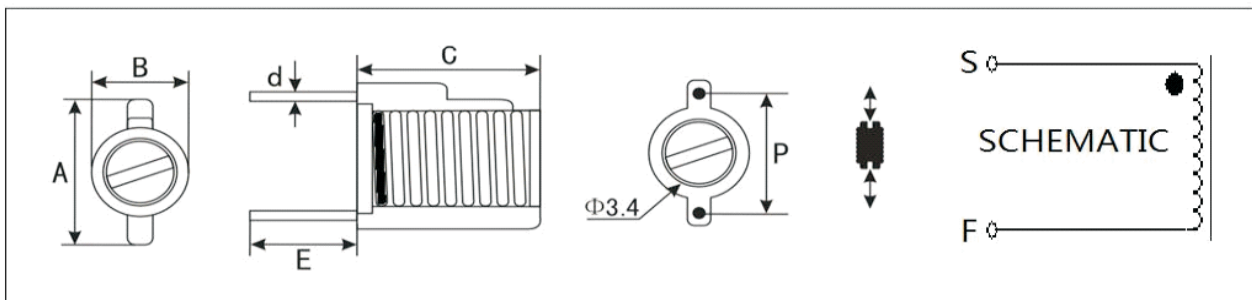
Test equipment

*Testing Instrument: Q-METER 171, Inductance-HP4191A



Dimension: Unit: mm

Part No.	A	B	C	d	E	P
MD0709	9.0Max	5.0Max	9.0±0.5	0.5±0.1	6.0±1.0	6.5±0.5



Part No.	L(Nom)(nH)	L(Min) (nH)	L(Max)(nH)	Q (Min)	Test Freq(MHz)
MD0709-1.5T-S-BR-R	19	16.5	24.5	80	200
MD0709-2.5T-S-BR-R	28	23.5	32.7	80	200
MD0709-3.5T-S-BR-R	42	34.5	49.6	60	200
MD0709-4.5T-S-BR-R	53	41.5	64.5	60	200
MD0709-5.5T-S-BR-R	67.5	55.5	79.5	60	200
MD0709-6.5T-S-BR-R	82.5	72.3	92.6	60	200

* Pictures and parameters are only for reference, accurate parameters in kind prevail.

ORDER INFORMATION

KLS18-MD 0709-1.5T-BR-R

MD: product type: MD : DIP molded Adjustable inductor,
MDS: SMD molded Adjustable inductor.
0709: Size: 5*5*5mm
XXT: coil number
BR: screw type: AR: aluminum core, BR: copper core, FR: ferrite core
G: color: G- green, R-Red