

Mini Microphone

Noise Cancelling mini microphone MN9750P Serie

Specifications:

Sensitivity(1KHz,0dB=1V/Pa):-34±3dB; -36±3dB;-38±3dB;
-40±3dB; -42±3dB; -44±3dB;

Directivity:Noise Cancelling

Impedance:2.2KΩ Max.

Current consumption:0.5mA Max.

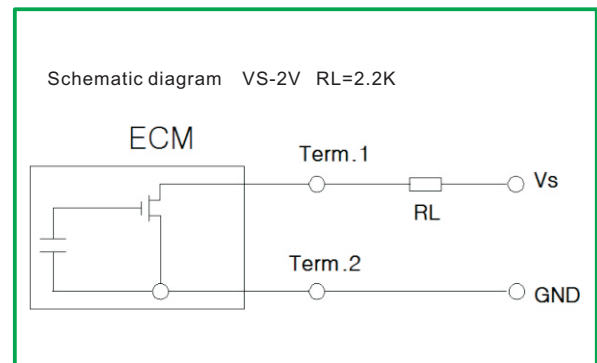
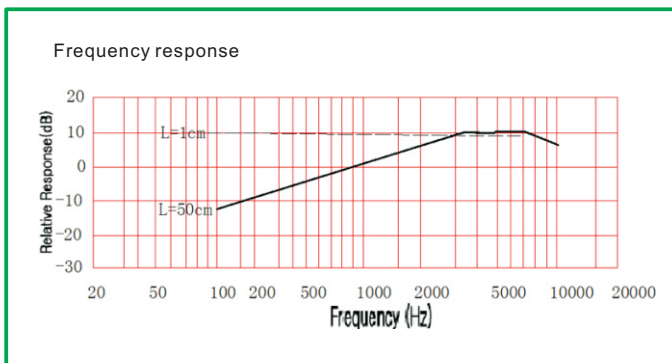
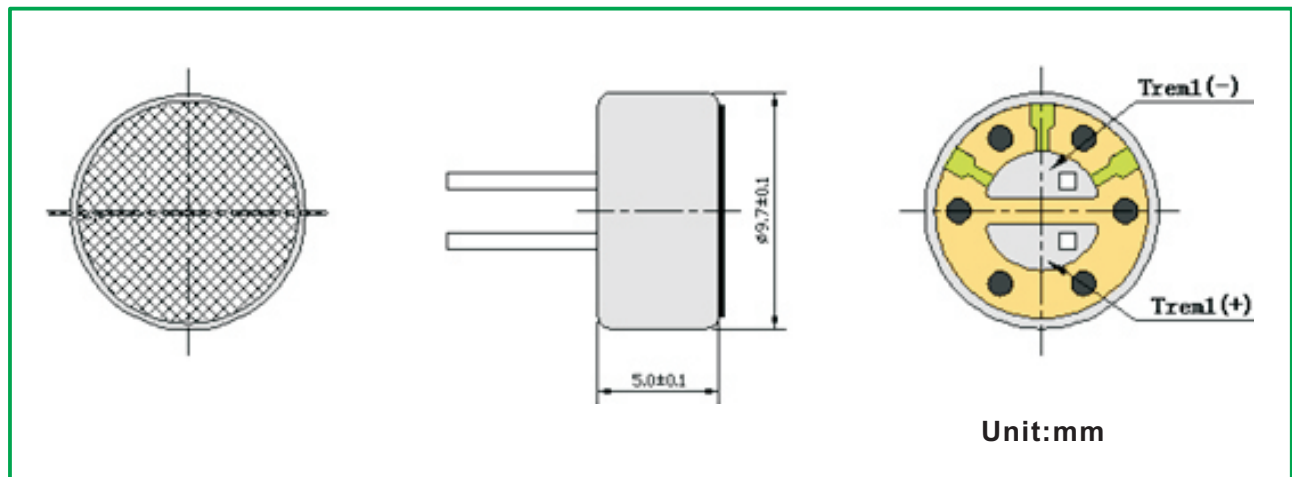
Operation voltage:1.0~10V

S/N ratio:60dB Min.

Sensitivity vs. Voltage:3dB Max. at VS=2.0V~1.5V

Std. Test Condition:94dB S.P.L @1KHz VS=2.0V

Frequency:20~16,000Hz



ORDER INFORMATION

Product NO.: **KLS3 - MN 9750P P - 423**

Noise Cancelling mini microphone Series
Dimensions
Note: Soldering
P: Pin Type
W: Wire type
Sensitivity