

Mini Microphone

Omni-direction mini microphone MM9745 Serie

Specifications:

Sensitivity(1KHz,0dB=1V/Pa): $-34\pm 3\text{dB}$; $-36\pm 3\text{dB}$; $-38\pm 3\text{dB}$;
 $-40\pm 3\text{dB}$; $-42\pm 3\text{dB}$; $-44\pm 3\text{dB}$

Directivity: Omnidirectional

Impedance: $2.2\text{K}\Omega$ Max.

Current consumption: 0.5mA Max.

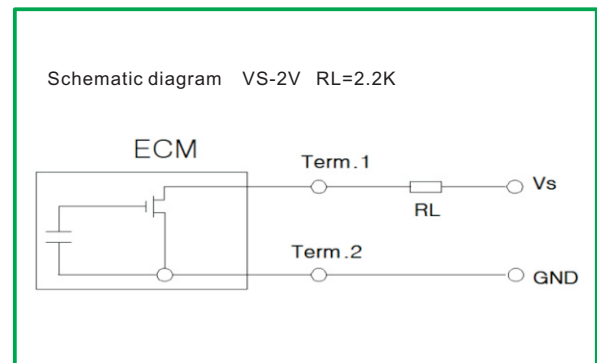
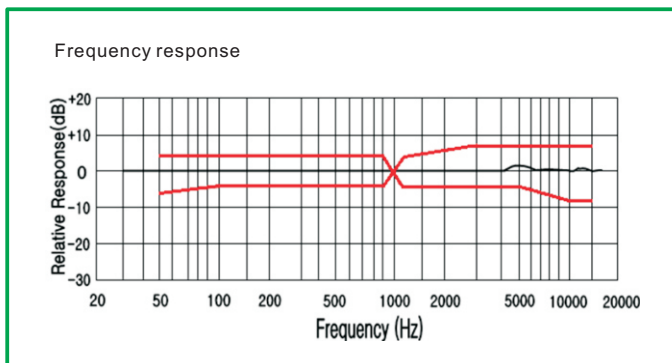
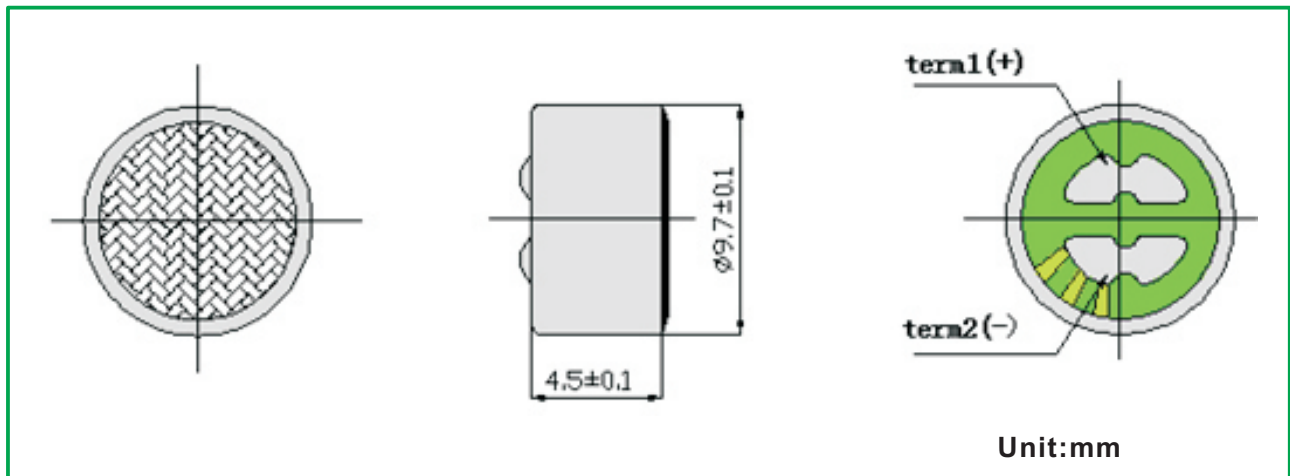
Operation voltage: $1.0\sim 10\text{V}$

S/N ratio: 60dB Min.

Sensitivity vs. Voltage: 3dB Max. at $V_S=2.0\text{V}\sim 1.5\text{V}$

Std. Test Condition: $94\text{dB S.P.L @ 1KHz } V_S=2.0\text{V}$

Frequency: $20\sim 16,000\text{Hz}$



ORDER INFORMATION

Product NO.: **KLS3 - MM 9745 P - 443**

Omni-Direction mini microphone Series ————
Dimensions ————
Note: Soldering ————
P: Pin Type ————
W: Wire type ————
Sensitivity ————